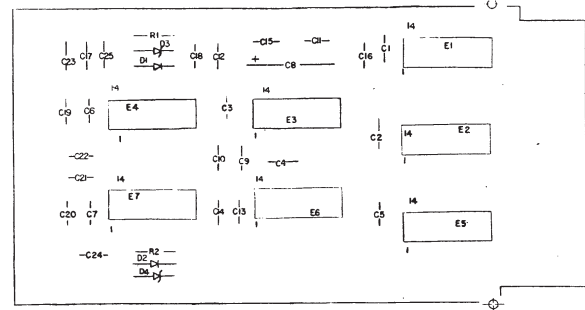
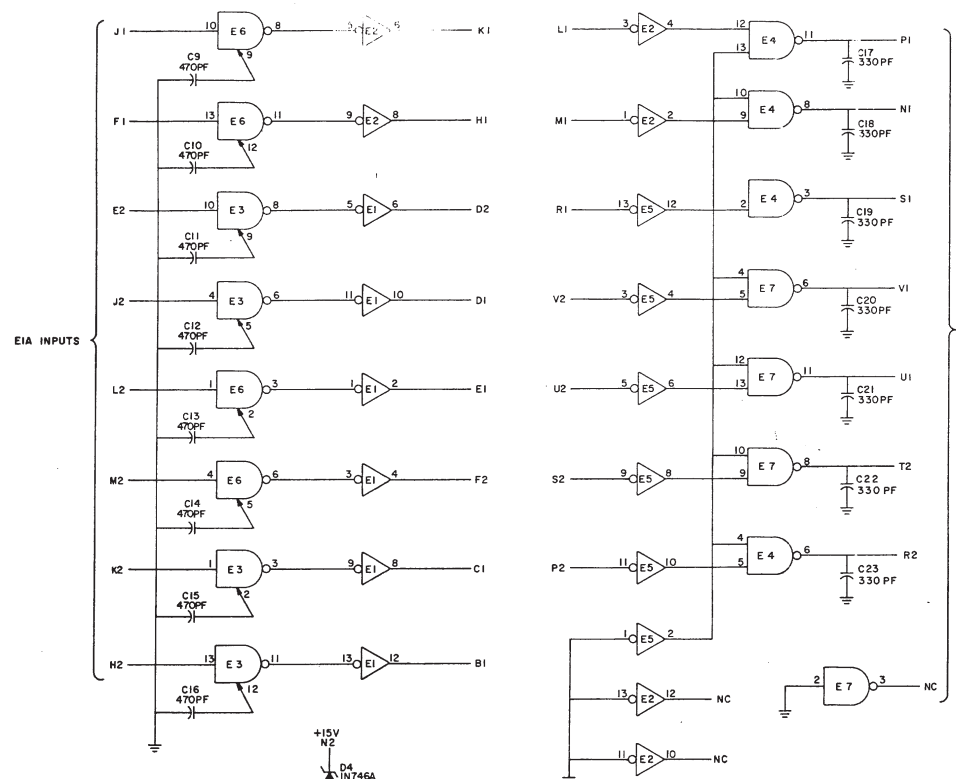
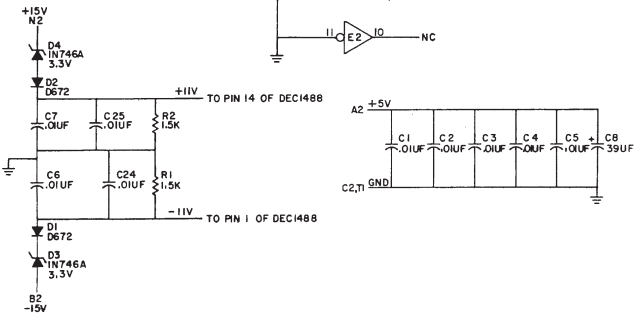


"THIS SCHEMATIC IS FURNISHED ONLY FOR THE EQUIPMENT MANUFACTURER'S USE."
 CIRCUITS ARE PROPRIETARY IN NATURE AND SHOULD BE KEPT STRICTLY CONFIDENTIAL ACCORDING TO COMPANY POLICY.



UNLESS OTHERWISE INDICATED:
 DEC1489 = E3 & E6
 DEC7404 = E1, E2 & E5
 DEC1488 = E4 & E7
 GND = PIN 7
 +5V = PIN 14



QTY.	REF. DESIGNATION	DESCRIPTION	DEC PART NO.
1		HANDLE, FLIP CHIP - MAGNETA	9008317-06
2		RELAY	9006132
2	E3, 6	I.C. DEC 1489	1510323
2	E4, 7	I.C. DEC 1488L	1510322
3	E1, 2, 5	I.C. DEC 7404	1909566
2	R1, 2	RES. 1.5K 1/4W 5%	1300391
2	D1, 2	DIODE D672	1105275
2	D3, 4	DIODE 1N746A 3.3V	1104860
9	J1 - 7, C24, C25	CAP. .01UF 100V 20% DISC	1001610
1	C8	CAP. .39UF 10V 10% TANT	1000076
7	C17 - 23	CAP. .330PF 100V 5% D.M.	1000023
8	C9 - 16	CAP. .470PF 5% 100V D.M.	1000024
1		ETCHED CIRCUIT BOARD	5009702
		MODULE BCO HISTORY	B-MH-M5940-0-6
		ASY/DRILLING HOLE LOCATION	D-MH-M5940-0-5
		X-Y COORDINATE HOLE LOCATION	K-CO-M5940-0-4
		TRANSISTOR & DIODE CONVERSION CHART	

REV.	DATE	BY	CHKD.	APP.	DATE	BY	CHKD.	APP.	DATE	BY	CHKD.	APP.
1	10/1/71	CP	CP	CP	10/1/71	CP	CP	CP	10/1/71	CP	CP	CP

digital EQUIPMENT CORPORATION
 EIA LEVEL CONVERTER
 M5940-0-1