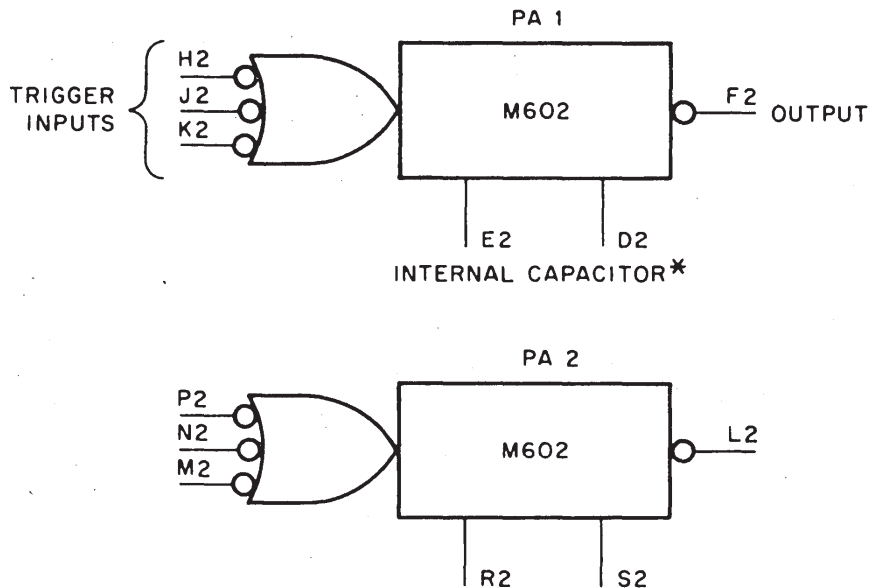


PULSE AMPLIFIER

TYPE M602

M
SERIES



POWER:
← A2 — +5V
← C2, T1 — GRD

* JUMPER E2-D2 OR R2-S2 FOR
110 NSEC PULSE WIDTH. STAN-
DARD PULSE WIDTH IS 50 NSEC.

M602 PULSE AMPLIFIER

The M602 contains two pulse amplifiers which provide power amplification, standardize pulses in amplitude and width, and transform level changes into a standard pulse. A negative pulse output is produced when the input is triggered by a transition from high to low. Propagation time between input and output thresholds is 30 nsec maximum. An internal capacitor is brought out to pin connections to permit the standard 50 nsec output pulse to be increased to 110 nsec (nominal). Recovery time is equal to that of the output pulse width. The input must have a fall time (10% to 90% points) of less than 400 nsec and must remain below 0.8 volts for at least 30 nanoseconds. Maximum PRF is 10 MHz.

Inputs: Each input presents $2\frac{1}{2}$ unit loads.

Outputs: Each output is capable of driving 30 unit loads.

Power: +5 volts, 200 ma (avg)

M602 — \$28.00