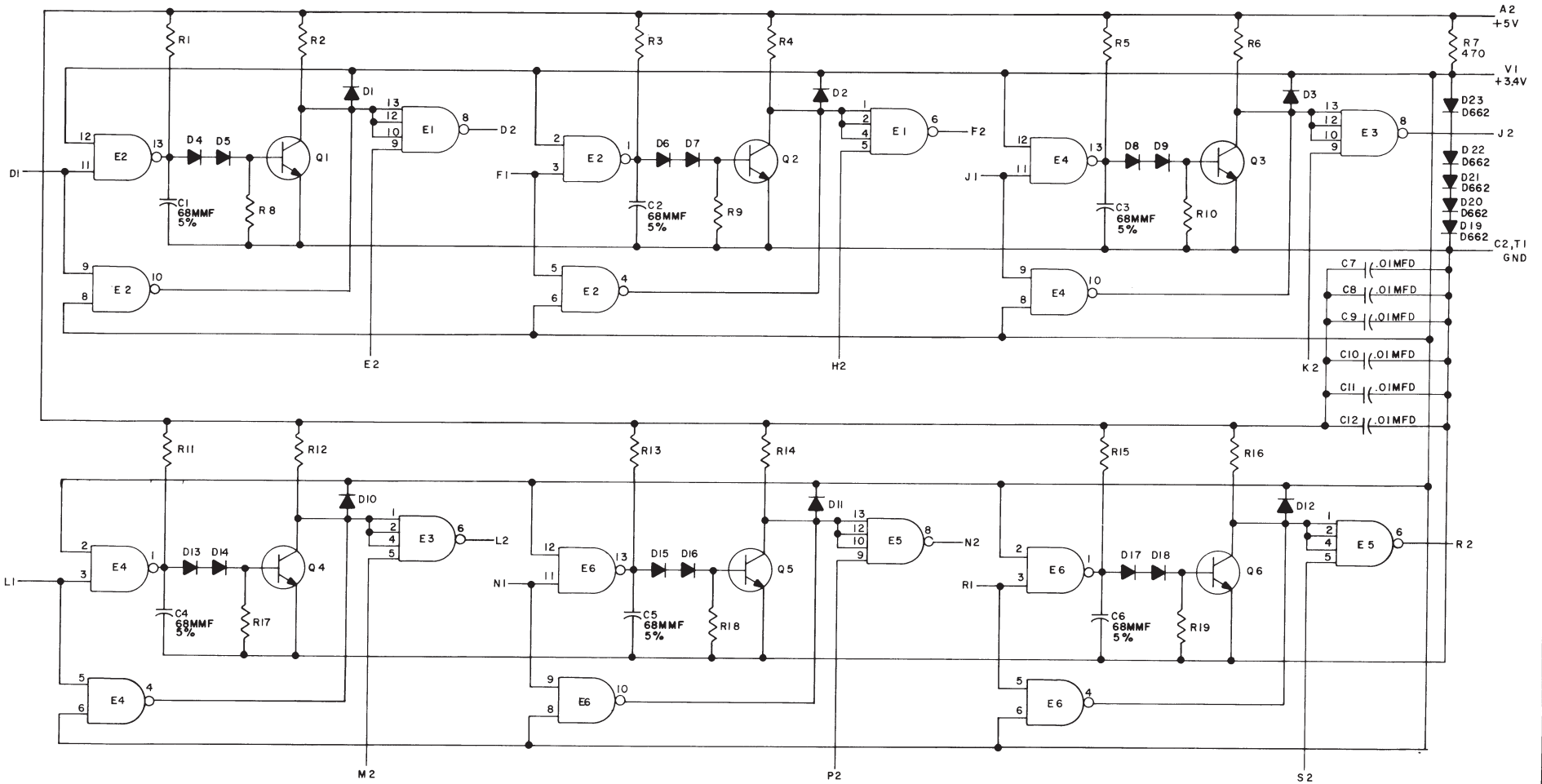


THIS SCHEMATIC IS FURNISHED ONLY FOR TEST AND MAINTENANCE PURPOSES. THE CIRCUITS ARE PROPRIETARY IN NATURE AND SHOULD BE TREATED ACCORDINGLY. COPYRIGHT 1969 BY DIGITAL EQUIPMENT CORPORATION

M606-2



UNLESS OTHERWISE INDICATED:
 CAPACITORS ARE 100V, 20%
 DIODES ARE D 664
 RESISTORS ARE 1.5 K, 1/4W, 5%
 TRANSISTORS ARE DEC3009B
 PIN 7 ON EACH IC = GND
 PIN 14 ON EACH IC = +5V
 E1, E3, E5 ARE DEC 7440N
 E2, E4, E6 ARE DEC 7401N

REVISIONS	DRN	DATE
CHK'D	W.C. Rastick	4/10/69
DESIGNED	W.C. Rastick	4/10/69
DATE	W.C. Rastick	4/10/69
APPROVED	W.C. Rastick	4/10/69

TRANSISTOR & DIODE CONVERSION CHART			
DEC	EIA	DEC	EIA
D662	1N645		
D664	1N3606		
DEC3009B	2N3009		

digital
 EQUIPMENT CORPORATION
 MAYNARD, MASSACHUSETTS

TITLE		PULSE GENERATOR M606	
SIZE	CODE	NUMBER	REV.
C	CS	M606-0-1	B
PRINTED CIRCUIT REV.			

DEC FORM NO. DRC 102

3 DIST. 224,434,1 PINK

REV. B
 NUMBER M606-0-1
 SIZE CODE C CS