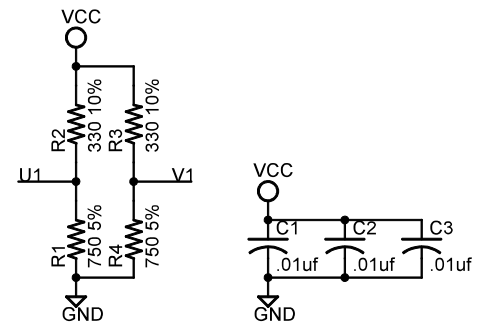


OUTLINE-SINGLE



6 4 INPUT NAND GATES M617

TITLE: M617X

Document Number:
B-CS-M617-0-1

REV:

Date: 5/23/2013 02:37:46p

Sheet: 1/1