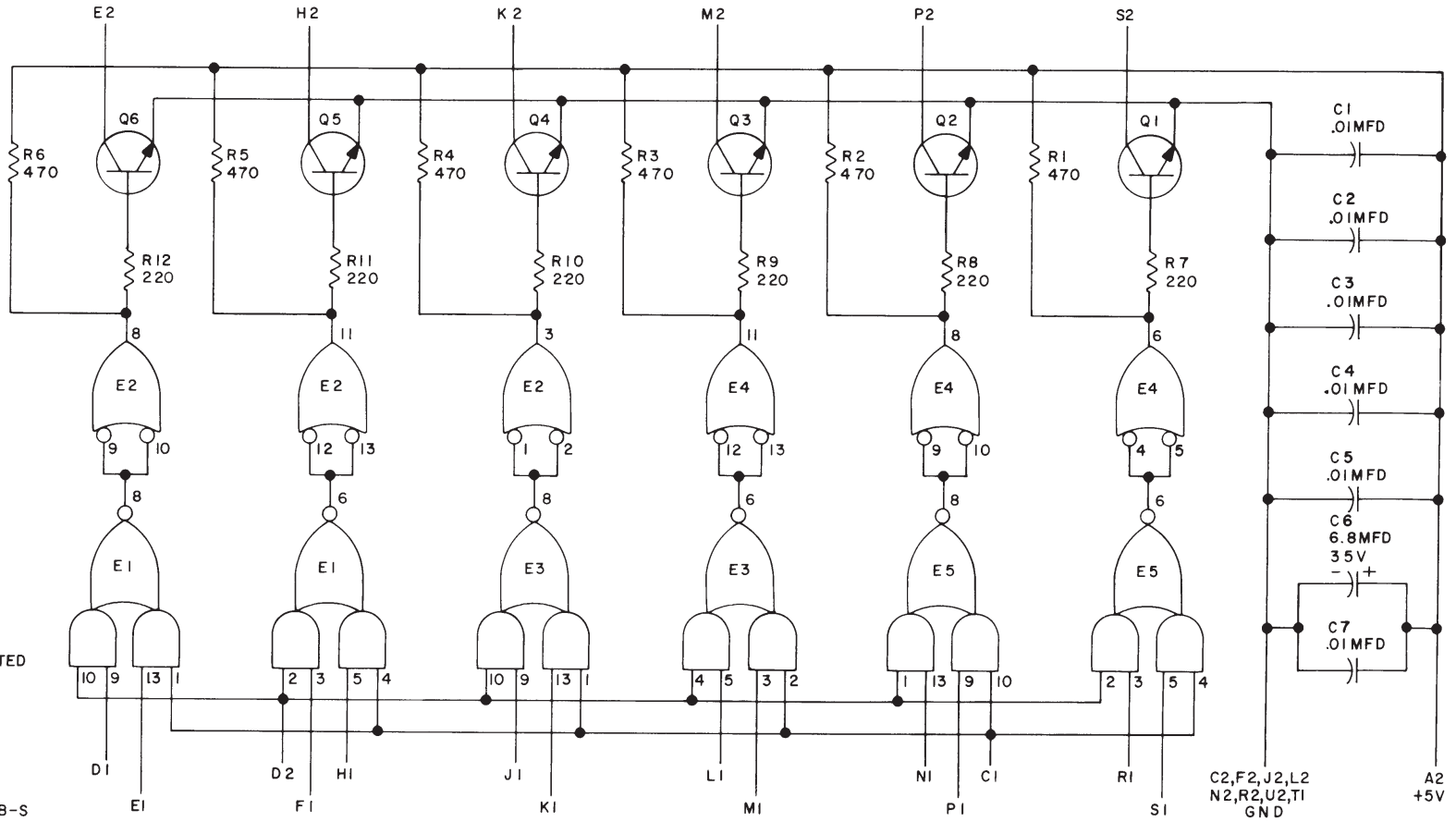


THIS SCHEMATIC IS FURNISHED ONLY FOR TEST AND MAINTENANCE PURPOSES. THE CIRCUITS ARE PROPRIETARY IN NATURE AND SHOULD BE TREATED ACCORDINGLY. COPYRIGHT 1969 BY DIGITAL EQUIPMENT CORPORATION



UNLESS OTHERWISE INDICATED
 PIN 7 ON EACH IC = GND
 PIN 14 ON EACH IC = +5V
 E1, E3, E5 ARE DEC 74H50N
 E2, E4 ARE DEC 74HOON
 CAPACITORS ARE 100V, 20%
 RESISTORS ARE 1/4W 10%
 TRANSISTORS ARE DEC3009B-S

REVISIONS	CHK	CHG NO	REV	B
		272	00001	B

DRN <i>BUTLER</i>	DATE 5/7/69
CHK'D <i>C. A. hallett</i>	DATE 5/7/69
ENG <i>P. E. Skind</i>	DATE 6-16-69
PROD.	DATE

TRANSISTOR & DIODE CONVERSION CHART			
DEC		EIA	
DEC3009B-S		2N3009B	

digital
 EQUIPMENT CORPORATION
 MAYNARD, MASSACHUSETTS

TITLE		DATA BUS DRIVER M621		
SIZE	CODE	NUMBER	REV.	
B	CS	M621-0-1	B	
PRINTED CIRCUIT REV.			A	