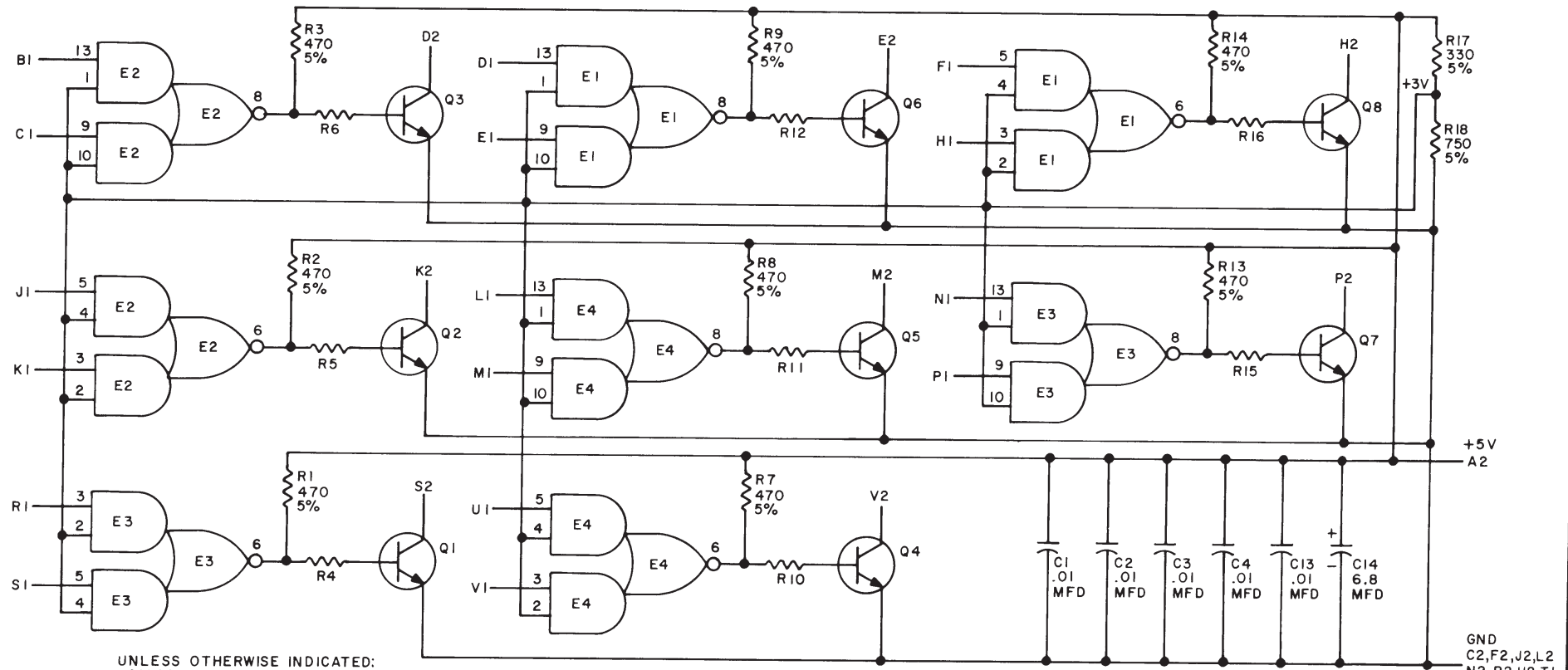


THIS SCHEMATIC IS FURNISHED ONLY FOR TEST AND MAINTENANCE PURPOSES. THE CIRCUITS ARE PROPRIETARY IN NATURE AND SHOULD BE TREATED ACCORDINGLY. COPYRIGHT 1969 BY DIGITAL EQUIPMENT CORPORATION



UNLESS OTHERWISE INDICATED:  
 CAPACITORS ARE 100MMF  
 RESISTORS ARE 220; 1/4W; 10%  
 TRANSISTORS ARE DEC3009B  
 IC'S ARE DEC74H50

PIN 7 ON EACH IC = GND  
 PIN 14 ON EACH IC = +5V

REVISIONS	
CHK	CHG NO   REV
01	00001 B

DRN	<i>M. Waller</i>	DATE	2-26-69
CHK'D	<i>[Signature]</i>	DATE	3-6-69
ENG.	<i>R. Shaal</i>	DATE	5-9-69
PROD		DATE	

TRANSISTOR & DIODE CONVERSION CHART			
DEC	EIA	DEC	EIA
DEC3009B	2N3009		

**digital**  
 EQUIPMENT CORPORATION  
 MAYNARD, MASSACHUSETTS

TITLE			
BUS DRIVER M622			
SIZE	CODE	NUMBER	REV
B	CS	M622-0-1	B
PRINTED CIRCUIT REV.			A