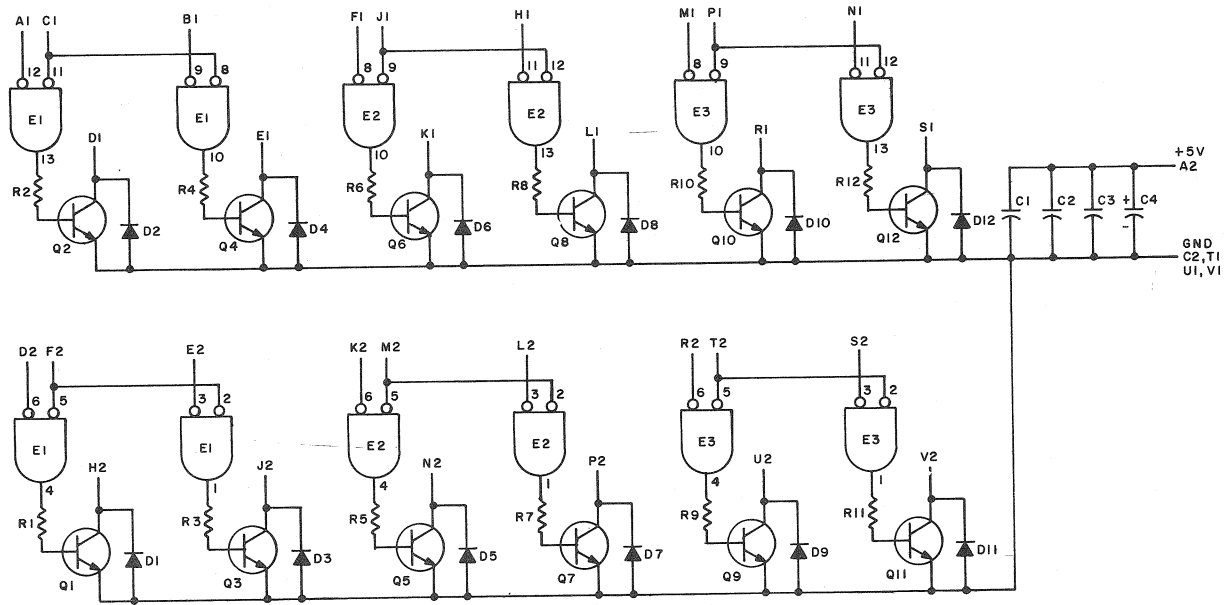
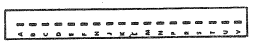


THIS SCHEMATIC IS FURNISHED ONLY FOR TEST AND MAINTENANCE PURPOSES. THE CIRCUITS ARE PROPRIETARY IN NATURE AND SHOULD BE TREATED ACCORDINGLY. COPYRIGHT 1969 BY DIGITAL EQUIPMENT CORPORATION



NOTES:
 PIN 7 ON EACH IC = GND
 PIN 14 ON EACH IC = +5V



E1 - E3	INTEGRATED CKT. DEC7402N	1909004
Q1 - Q12	TRANSISTOR DEC3009B	1503100
R1 - R12	RES. 390 1/4W 5% CC	1300309
D1 - D12	DIODE D664	1100114
C4	CAP. 6.8MFD 35V 20% STANT	1000067
C1 - C3	CAP. .01MFD 100V 20% DISC	1001840
	PARTS LIST	A-PL-M6230-0
REFERENCE DESIGNATION	DESCRIPTION	PART NO.

TRANSISTOR & DIODE CONVERSION CHART			TITLE	
DEC	EIA		BUS DRIVER M623	
D664	1N3606	EQUIPMENT CORPORATION MAYNARD, MASSACHUSETTS	SIZE	NUMBER
DEC3009B	2N3009		C CS	M623-0-1
			PRINTED CIRCUIT REV.	A

REVISIONS
 CHK/CHG NO. REV.

DRN. *M. Heller*
 DATE 6-4-69
 CHK'D *M. Heller*
 DATE 4/16/68
 ENG. *M. Heller*
 DATE 2/1/68
 PROD. *M. Heller*
 DATE

DEC FORM NO. DRC 102

P/ANK

D/ST. 132414344221

REV. NUMBER
 C CS M623-0-1