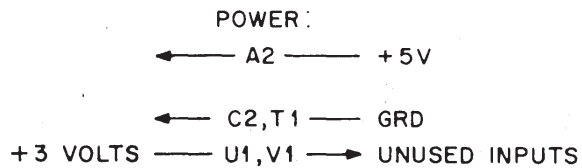
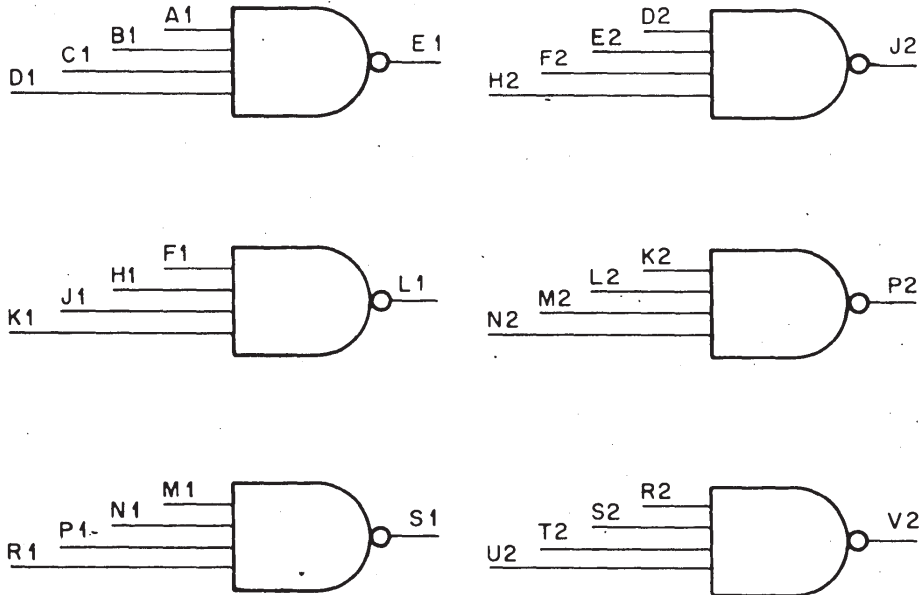


NAND POWER AMPLIFIER

TYPE M627

M
SERIES



M627 NAND POWER AMPLIFIER

The M627 combines power amplification with high-speed gating, specifically for high fan-out of clock or shift pulses to expanded counters and shift registers. Propagation time between input and output transitions is typically 6 nsec. To utilize the timing accuracy of this module, wire runs of minimum length are recommended.

The module may also be used as a four-input NAND gate. In the pulse amplifier application, unused inputs should be connected to the +3 volt pins provided.

Inputs: Each input presents $2\frac{1}{2}$ unit loads.

Outputs: Each output is capable of driving 40 unit loads.

Power: +5 volts, 120 ma (avg)

M627 — \$32.00