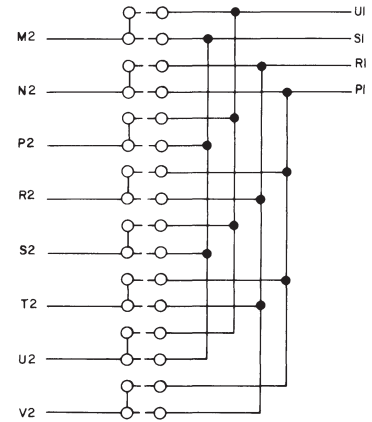
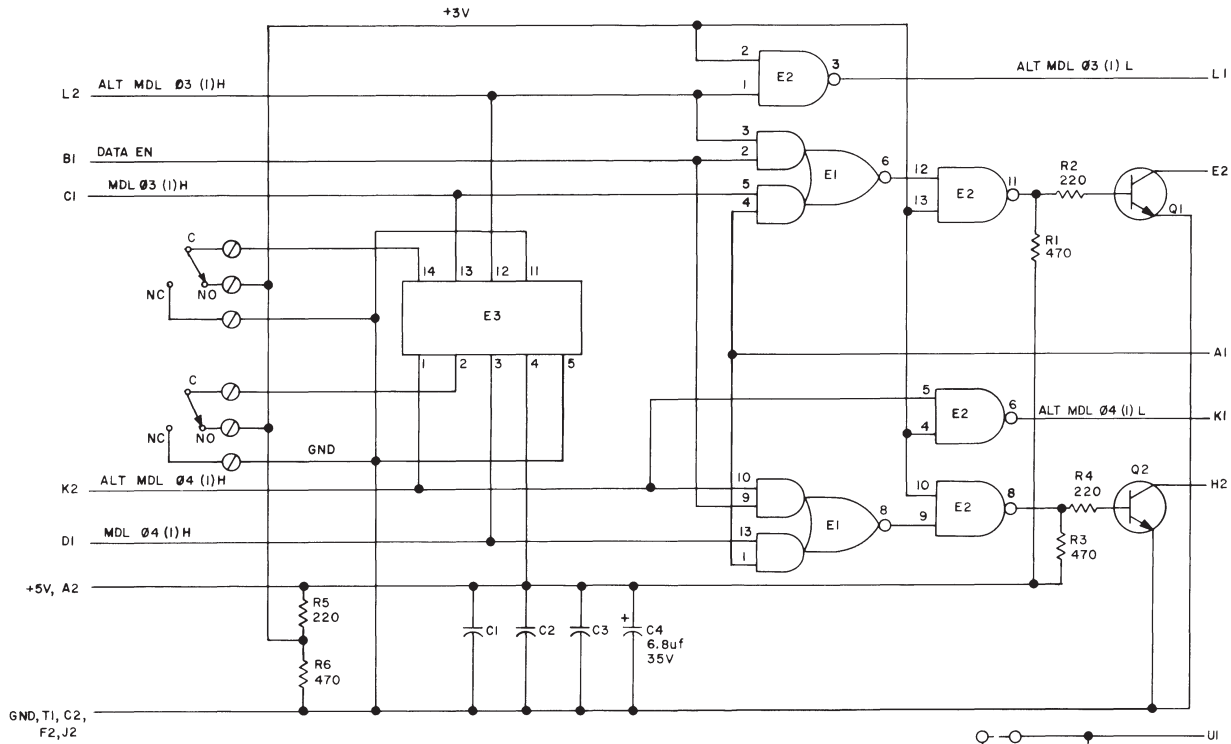


THIS SCHEMATIC IS FURNISHED ONLY FOR TEST AND MAINTENANCE PURPOSES. THE CIRCUITS ARE PROPRIETARY IN NATURE AND SHOULD BE TREATED ACCORDINGLY. COPYRIGHT 1970 BY DIGITAL EQUIPMENT CORPORATION



M628-2

UNLESS OTHERWISE INDICATED:
 TRANSISTORS ARE DEC3009B
 RESISTORS ARE 1/4W, 5%
 CAPACITORS ARE .01uf, 100V, 20%
 ⊗ INDICATES SPLIT LUGS
 ○ - ○ INDICATES JUMPERS
 E1 IS DEC74H50
 E2 IS DEC74H00
 E3 IS DEC74B2
 PIN 7 ON E1, E2=GND
 PIN 14 ON E1, E2 =+5V
 S1 & S2 ARE MICRO
 SWITCH TYPE 6 AT 56-T2

REV.	CHG. NO.	REV.
1	00001	A
2	00002	B

DEC FORM NO. DRG 102

DRN	DATE	3/11/70
CHK'D	DATE	5-12-70
ENG	DATE	4-21-70

TRANSISTOR & DIODE CONVERSION CHART			
DEC	EIA	DEC	EIA
DEC3009B	2N3009B		

digital
 EQUIPMENT CORPORATION
 MAYNARD, MASSACHUSETTS

TITLE		FIELD BANK	
		ADD CARD M628	
SIZE	CODE	NUMBER	REV.
C	CS	M628-0-1	B
PRINTED CIRCUIT REV.			

REV. B
 NUMBER M628-0-1
 SIZE CODE C CS

5 DIST. 3241434.4353 PINK