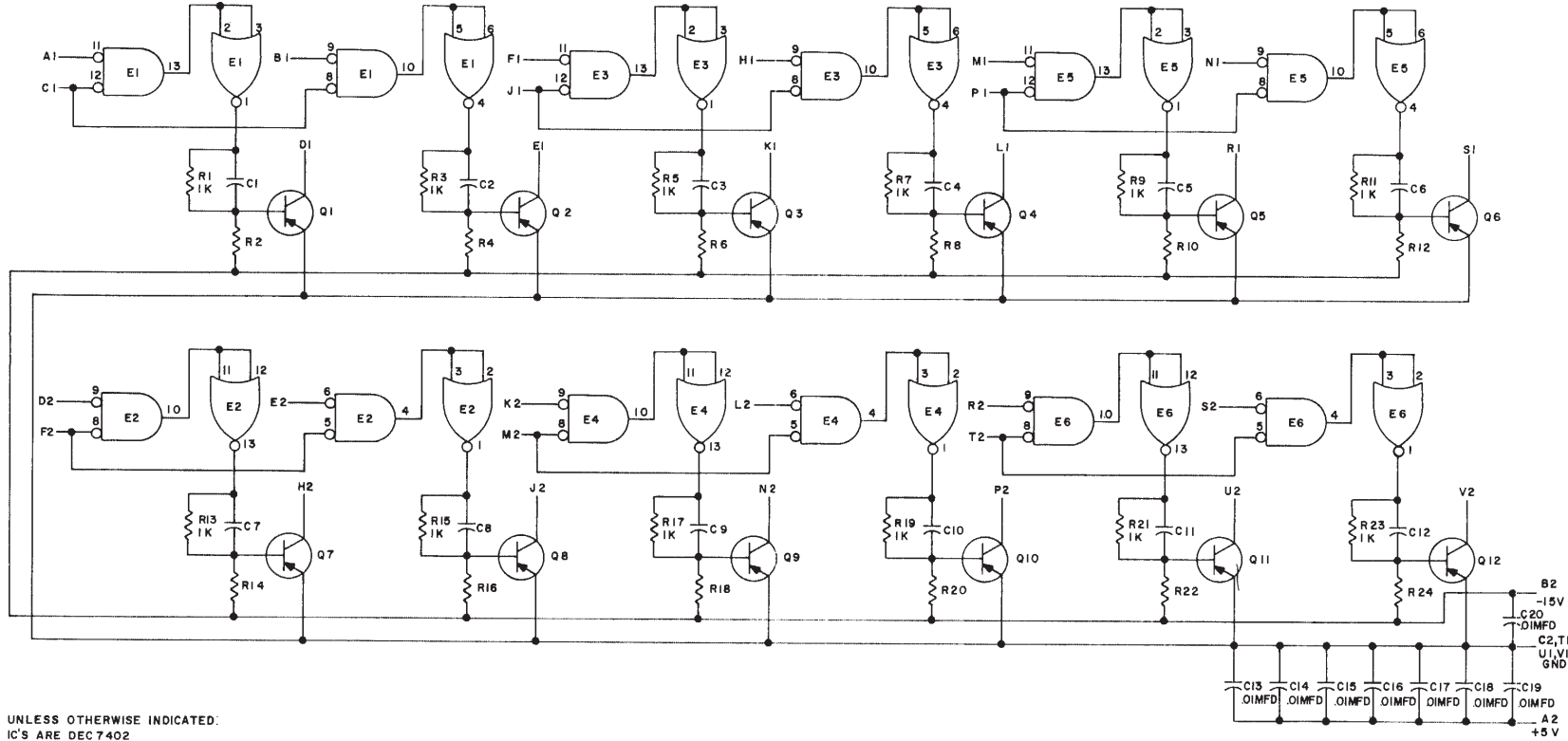


THIS SCHEMATIC IS FURNISHED ONLY FOR TEST AND MAINTENANCE PURPOSES. THE CIRCUITS ARE PROPRIETARY IN NATURE AND SHOULD BE TREATED ACCORDINGLY. COPYRIGHT 1969 BY DIGITAL EQUIPMENT CORPORATION



UNLESS OTHERWISE INDICATED:
 IC'S ARE DEC 7402
 PIN 7 ON EACH IC = GND
 PIN 14 ON EACH IC = +5V
 CAPACITORS ARE 15 MMF
 RESISTORS ARE 5.6K, 1/4W, 5%
 TRANSISTORS ARE DEC 3639B

7-24

REV. _____
 NUMBER M633-0-1
 SIZE CODE C CS

REVISIONS
 CHK'D (ING) NO. REV.

DRN: *W. J. Kelly* DATE: *2-2-69*
 CHK'D: *W. J. Kelly* DATE: *2-5-69*
 ENG: *W. J. Kelly* DATE: *1/14/69*
 PROD: *W. J. Kelly* DATE: *2/4/69*

TRANSISTOR & DIODE CONVERSION CHART			
DEC		EIA	
DE63639B	2N3639		

digital
 EQUIPMENT CORPORATION
 MAYNARD, MASSACHUSETTS

TITLE: **NEGATIVE BUS DRIVER**
M633
 SIZE CODE C CS NUMBER M633-0-1 REV. _____
 PRINTED CIRCUIT REV. **AB**

DEC FORM NO. DRC 102

S. PINK D1571 326 V34 435