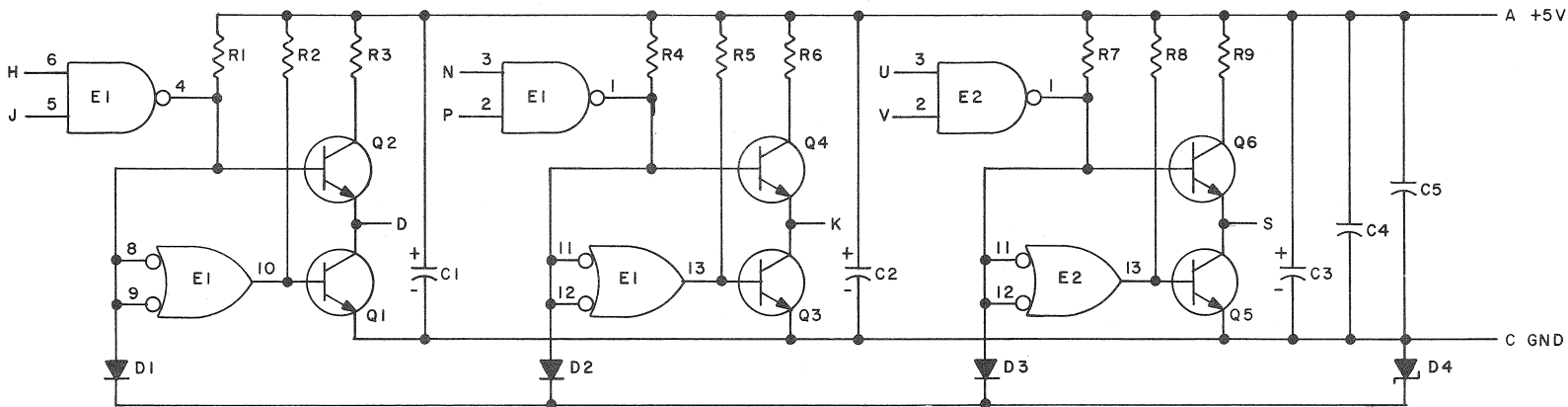


↓

|      |          |      |      |
|------|----------|------|------|
| REV. | M660-0-1 | CS   | B    |
|      | NUMBER   | CODE | SIZE |

THIS SCHEMATIC IS FURNISHED ONLY FOR TEST AND MAINTENANCE PURPOSES. THE CIRCUITS ARE PROPRIETARY IN NATURE AND SHOULD BE TREATED ACCORDINGLY. COPYRIGHT 1968 BY DIGITAL EQUIPMENT CORPORATION



NOTES:  
 PIN 7 ON EACH IC = GND  
 PIN 14 ON EACH IC = +5V

|                       |                            |               |
|-----------------------|----------------------------|---------------|
| E1, E2                | INTEGRATED CKT. DEC7401N   | 1905590       |
| Q1 - Q6               | TRANSISTOR DEC3009B-S      | 1503100       |
| R3, R6, R9            | RES. 27 1/2W 5% CC         | 1302253       |
| R2, R5, R8            | RES. 1.5K 1/4W 5% CC       | 1300391       |
| R1, R4, R7            | RES. 470 1/4W 5% CC        | 1300316       |
| D4                    | DIODE IN750                | 1100123       |
| D1 - D3               | DIODE D664                 | 1100114       |
| C4, C5                | CAP. .01MFD 100V 20% DISC  | 1001610       |
| C1 - C3               | CAP. 6.8MFD 35V 20% S.TANT | 1000067       |
|                       | PARTS LIST                 | A-PL-M660-0-0 |
| REFERENCE DESIGNATION | DESCRIPTION                | PART NO.      |

-----

|                              |  |
|------------------------------|--|
| REVISIONS<br>CHK/CHG NO./REV |  |
|                              |  |
|                              |  |
|                              |  |
|                              |  |

|                           |                 |
|---------------------------|-----------------|
| DRN.<br><i>M. Waller</i>  | DATE<br>7-12-68 |
| CHK'D<br><i>M. Waller</i> | DATE<br>7/12/68 |
| ENG.<br><i>H. Gough</i>   | DATE<br>7/24/68 |
| PROD.                     | DATE            |

| TRANSISTOR & DIODE CONVERSION CHART |        |     |  |
|-------------------------------------|--------|-----|--|
| DEC                                 |        | EIA |  |
| D664                                | IN3606 |     |  |
| IN750                               | SAME   |     |  |
| DEC3009B                            | 2N3009 |     |  |

**digital**  
 EQUIPMENT CORPORATION  
 MAYNARD, MASSACHUSETTS

|                                     |            |                    |      |
|-------------------------------------|------------|--------------------|------|
| TITLE<br>POSITIVE LEVEL DRIVER M660 |            |                    |      |
| SIZE<br>B                           | CODE<br>CS | NUMBER<br>M660-0-1 | REV. |
| PRINTED CIRCUIT REV.                |            |                    | A    |

DEC FORM NO. DRB 102

↑

PINK

DIST. 1434 435 324