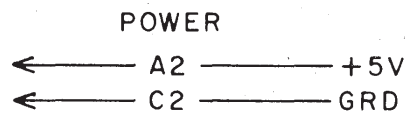
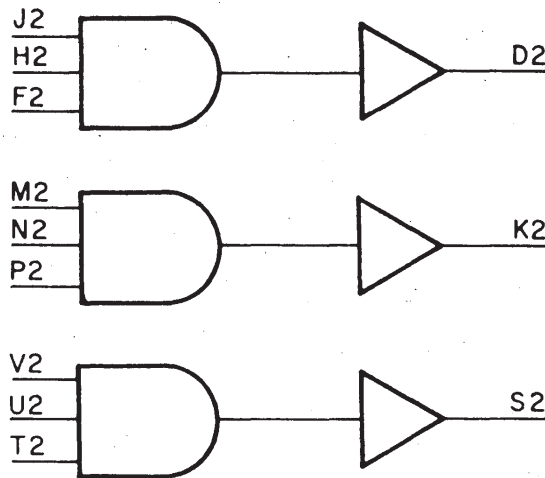


POSITIVE LEVEL DRIVER
M661

M
SERIES



+3 IN => +3 OUT
0 IN => 0 OUT

The M661 contains three circuits which may be used to drive low impedance unterminated cable with M Series logic levels or pulses whose duration is 100 nsec or greater.

Inputs: Each input represents 1 unit load.

Outputs: M Series logic "1" at 5 ma.
M Series logic "0" at 20 ma.

Power: +5v, 111 ma. (max.)

M661 — \$15