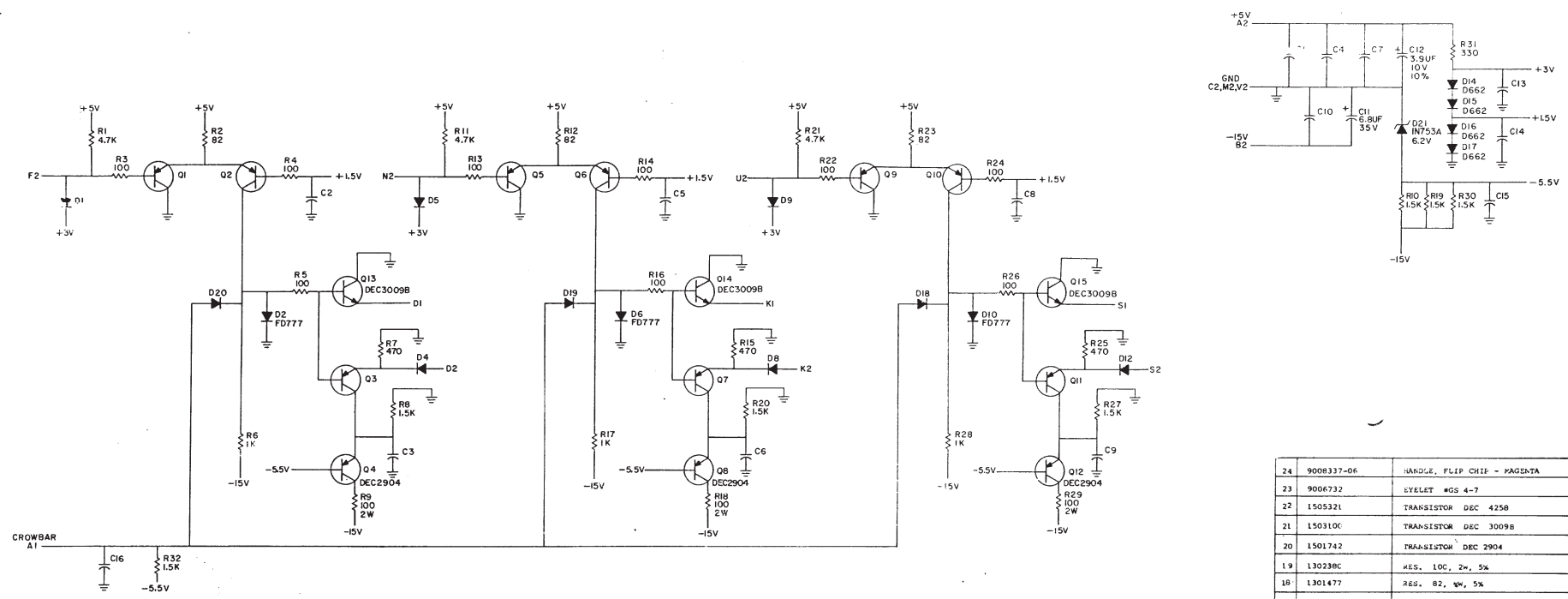
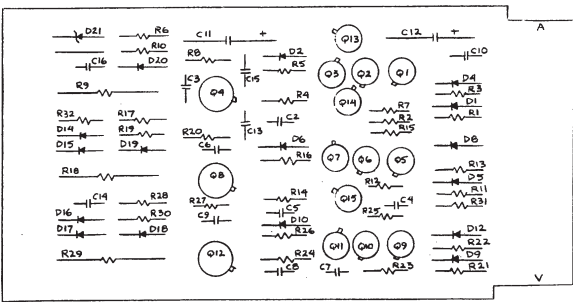


THIS SCHEMATIC IS FURNISHED ONLY FOR TEST AND MAINTENANCE PURPOSES. THE CIRCUITS ARE PROPRIETARY IN NATURE AND SHOULD BE TREATED ACCORDINGLY. COPYRIGHT 1971 BY DIGITAL EQUIPMENT CORPORATION.



UNLESS OTHERWISE INDICATED:  
 RESISTORS ARE 1/4W, 5%  
 CAPACITORS ARE .01UF, 100V, 20%  
 DIODES ARE D664  
 TRANSISTORS ARE DEC4258



24	9008337-06	HANDLE, FLIP CHIP - MAGENTA	1
23	9006732	EYELET #GS 4-7	2
22	1505321	TRANSISTOR DEC 4258	9
21	1503100	TRANSISTOR DEC 3009B	3
20	1501742	TRANSISTOR DEC 2904	3
19	1302380	RES. 100, 2W, 5%	3
18	1301477	RES. 82, 1/4W, 5%	3
17	1300447	RES. 4.7K, 1/4W, 5%	3
16	1300391	RES. 1.5K, 1/4W, 5%	7
15	1300365	RES. 1K, 1/4W, 5%	3
14	1300316	RES. 470, 1/4W, 5%	3
13	1300295	RES. 330, 1/4W, 5%	1
12	1300229	RES. 100, 1/4W, 5%	9
11	1103041	DIODE FD777	3
10	1102821	DIODE 1N753A	1
9	1100114	DIODE D664	9
8	1100113	DIODE D662	4
7	1001611	CAP. .01UF, 100V, 20% DISC	14
6	1000076	CAP. 10UF, 10V, 10% S. TANT	1
5	1000067	CAP. 4.8UF, 35V, 20% S. TANT	1
4	5029391	ETCHED CIRCUIT BOARD	1
3	4-1-1-0-6	MODULE ECC HISTORY	
2	4-1-1-0-5	MODULE ECC HISTORY	
1	4-1-1-0-4	MODULE ECC HISTORY	

DESIGNED BY	DATE	DEC	EIA	DEC	EIA	DEC	EIA	DEC	EIA
1/1	1/77								
1/1	1/77								
1/1	1/77								
1/1	1/77								

TRANSISTOR & DIODE CONVERSION CHART

DEC	EIA	DEC	EIA
DEC4258	1N3503	DEC2904	2N2119A
DEC3009B	1N3009	DEC4258	2N4258

digital CORPORATION  
 50 OHM  
 "OR" BUS DRIVER M663  
 DEC 1977  
 1-0-199M S3 D  
 1-0-199M S3 D  
 1-0-199M S3 D