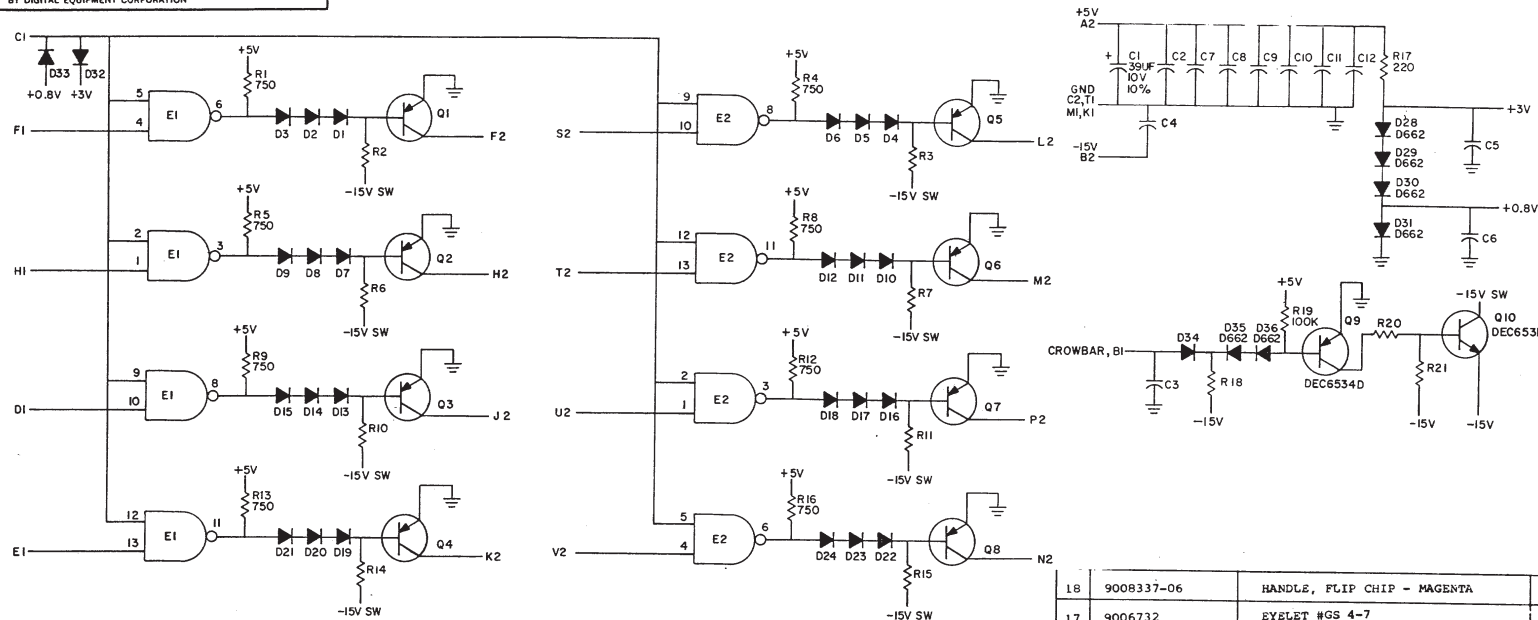
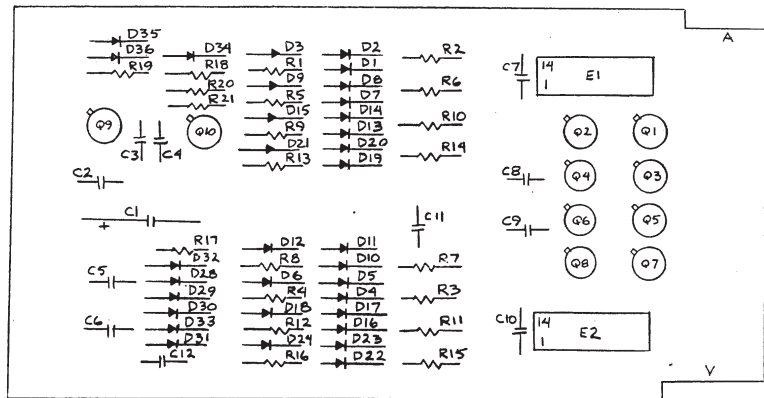


THIS SCHEMATIC IS FURNISHED ONLY FOR TEST AND MAINTENANCE PURPOSES. THE CIRCUITS ARE PROPRIETARY IN NATURE AND SHOULD BE TREATED ACCORDINGLY. COPYRIGHT 1971 BY DIGITAL EQUIPMENT CORPORATION



UNLESS OTHERWISE INDICATED:
 RESISTORS ARE 7.5K, 1/4W, 5%
 DIODES ARE D664
 CAPACITORS ARE .01UF, 100V, 20%
 TRANSISTORS ARE DEC4258
 IC'S ARE DEC1074H00
 PIN 7 = GND
 PIN 14 = +5V ON ALL IC'S



18	9008337-06	HANDLE, FLIP CHIP - MAGENTA	1
17	9006732	EYELET NGS 4-7	2
16	I910462	I.C. DEC1074H00	2
15	1509338	TRANSISTOR DEC 6531	1
14	1505321	TRANSISTOR DEC 4258	8
13	1503409-00	TRANSISTOR DEC 6534D	1
12	1302466	RES. 100K, 1/4W, 5%	1
11	1301422	RES. 7.5K, 1/4W, 5%	11
10	1301401	RES. 750, 1/4W, 5%	8
9	1300271	RES. 220, 1/4W, 5%	1
8	1100114	DIODE D664	27
7	1100113	DIODE D662	6
6	1001610	CAP. .01UF, 100V, 20% DISC	11
5	1000076	CAP. .39UF, 10V, 10% S. TANT	1
4	50093R1	ETCHED CIRCUIT BOARD	1
3	B-MH-M664-0-6	MODULE ECO HISTORY	
2	C-AH-664-0-5	ASS/DRILLING HOLE LAYOUT	
1	K-CU-464-0-4	A-Y COORDINATE HOLE LOCATION	
1	DEC PART N.C.	DESCRIPTION	QTY

REV.	CHG	NO.	REV.	DATE
1		0001	A	

TRANSISTOR & DIODE CONVERSION CHART			
DATE	DEC	EIA	DATE
2-3-71	D662	IN455	
	D664	IN3606	
2-11-71	DEC4258	2N4258	
	DEC6534	MP6534	
	DEC6531	MP6531	

digital EQUIPMENT CORPORATION
 TITLE: IO BUS DRIVER M664
 SIZE: C CS NUMBER: M664-0-1 REV: A
 PRINTED CIRCUIT REV: B