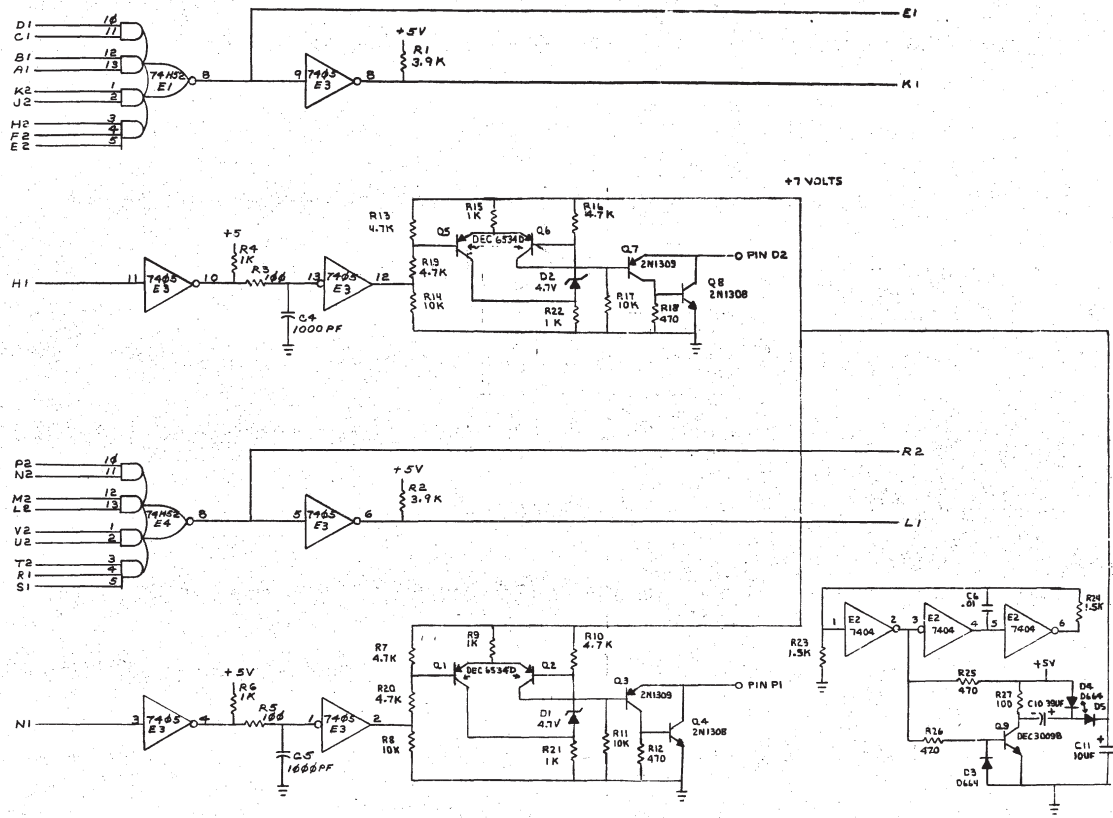


Warning and specifications herein are the property of Digital Equipment Corporation and shall not be reproduced or copied in whole or in part on any form for the manufacture or sale of items without written permission.

1-0-889MSJd 2



REV	DATE
CHANGE NO.	
REV. NO.	
DATE	

FIRST USED ON OPTION/MODEL	QTY.	DESCRIPTION	PART NO.	ITEM NO.
PDP 11				
PARTS LIST				
UNLESS OTHERWISE SPECIFIED	DRAWN BY <i>W. J. ...</i>	DATE <i>5/19/72</i>	digital EQUIPMENT CORPORATION MILITARY STANDARD 883C	
DIMENSION IN INCHES	CHECKED BY <i>...</i>	DATE <i>5/19/72</i>		
TOLERANCES	ENGR. <i>...</i>	DATE <i>5/19/72</i>	TITLE UNIBUS POWER FAIL DRIVERS	
DECIMALS	PROJ. ENG. <i>...</i>	DATE <i>5/19/72</i>		
ANGLES	PROJ. MGR. <i>...</i>	DATE <i>5/19/72</i>	MATERIAL	
XXX = 0.05	FINISH	DATE		
XX = 0.02			NEXT HIGHER REV. NO.	
X = 0.01				
REMOVE BURRS AND BREAK SHARP CORNERS SURFACE QUALITY ✓			SIZE CODE NUMBER DCSM688-0-1	
			REV E	
			SCALE NONE	
			SHEET 2 OF 2	

DCSM688-0-1