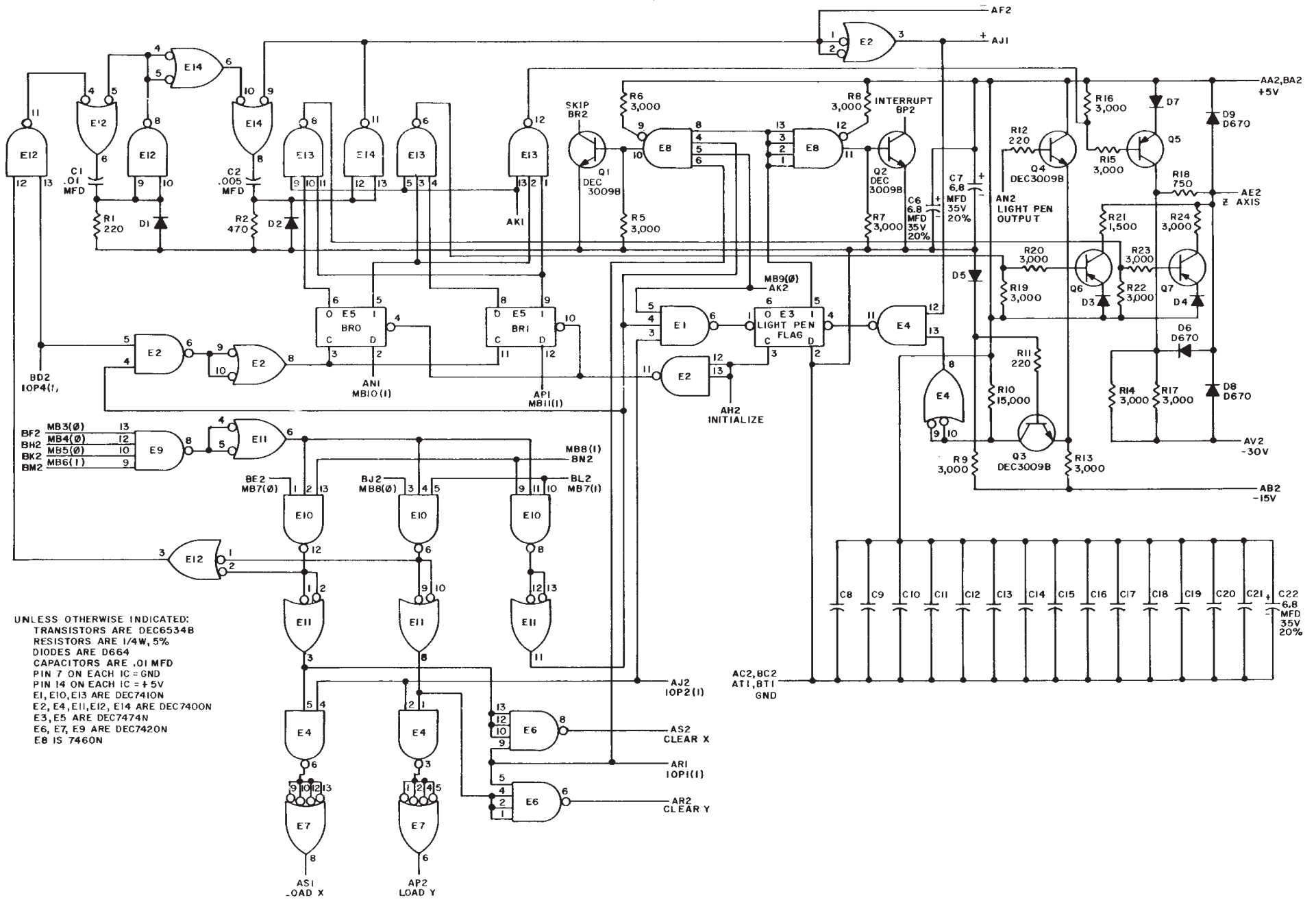


I-V/C9



UNLESS OTHERWISE INDICATED:
 TRANSISTORS ARE DEC6534B
 RESISTORS ARE 1/4W, 5%
 DIODES ARE D664
 CAPACITORS ARE .01 MFD
 PIN 7 ON EACH IC = GND
 PIN 14 ON EACH IC = +5V
 E1, E10, E13 ARE DEC7410N
 E2, E4, E11, E12, E14 ARE DEC7400N
 E3, E5 ARE DEC7474N
 E6, E7, E9 ARE DEC7420N
 E8 IS 7460N

C-CS-M701-0-1 Display Control