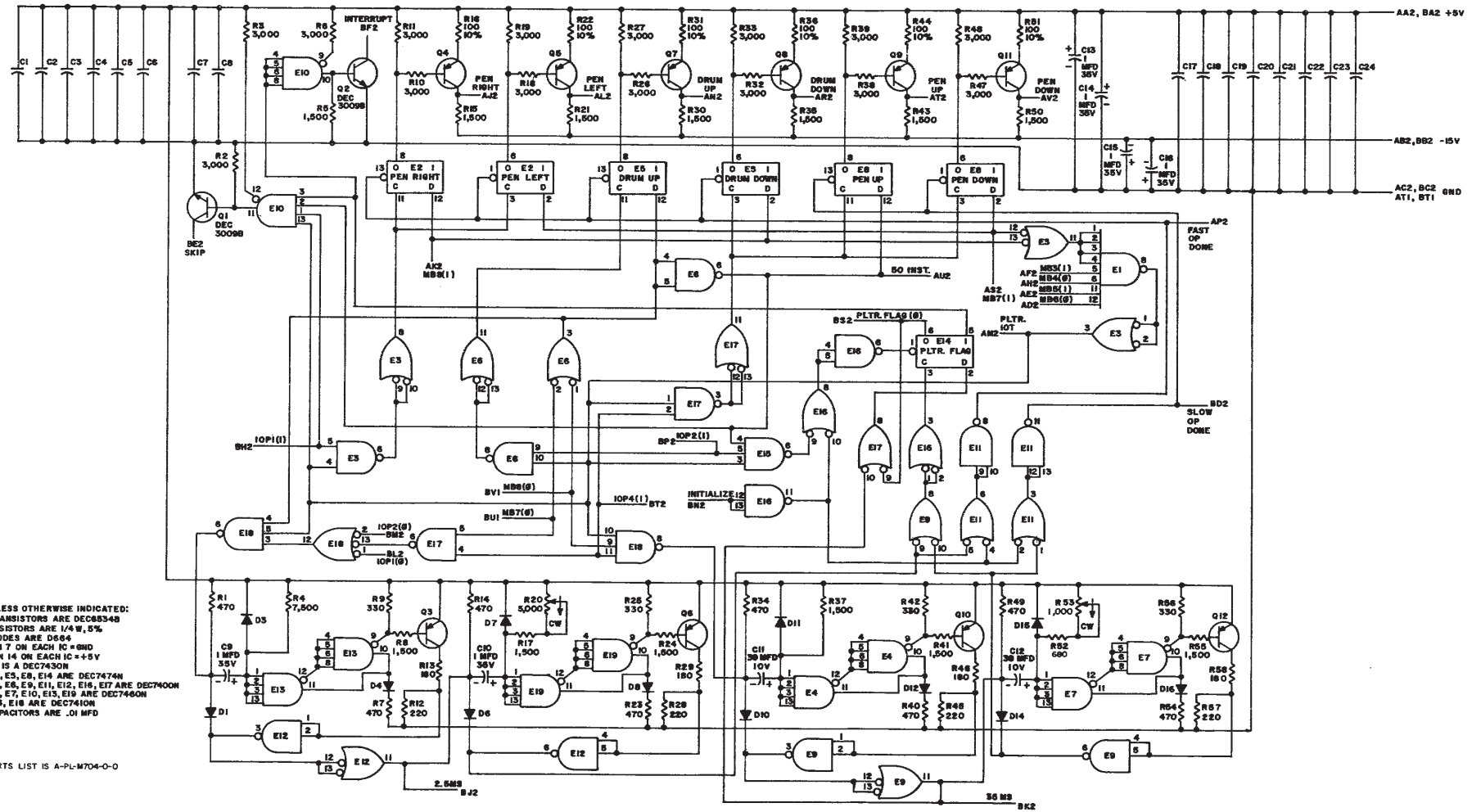


THIS SCHEMATIC IS FURNISHED ONLY FOR TEST AND MAINTENANCE PURPOSES. THE CIRCUITS ARE PROPRIETARY IN NATURE AND SHOULD BE TREATED ACCORDINGLY. COPYRIGHT 1967 BY DIGITAL EQUIPMENT CORPORATION



UNLESS OTHERWISE INDICATED:
 TRANSISTORS ARE DEC6548
 RESISTORS ARE 1/4 W, 5%
 DIODES ARE D664
 PIN 7 ON EACH IC = GND
 PIN 14 ON EACH IC = +5V
 E1 IS A DEC7430N
 E2, E5, E8, E14 ARE DEC7474N
 E3, E6, E9, E11, E12, E16, E17 ARE DEC7400N
 E4, E7, E10, E13, E19 ARE DEC7460N
 E15, E18 ARE DEC7410N
 CAPACITORS ARE .01 MFD

PARTS LIST IS A-PL-M704-0-0

REV.	DATE	BY	CHKD.
1	10/14/67	W. J.
2	10/14/67
3	10/14/67

TRANSISTOR & DIODE CONVERSION CHART			
DEC	MANUFACTURER	DEC	MANUFACTURER
DEC3009B	2N3009	DEC7400N	7400
DEC6548	2N3055	DEC7410N	7410
D664	1N3502		

DATE	REV.	BY	CHKD.
10/14/67	1	W. J.

digital PLOTTER CONTROL M704
 EQUIPMENT CORPORATION
 350 MAIN STREET, BOSTON, MASSACHUSETTS 02118
 SIZE: CODE: NUMBER: REV: E
 D CS M704-0-1

REV. 1-0-0-1