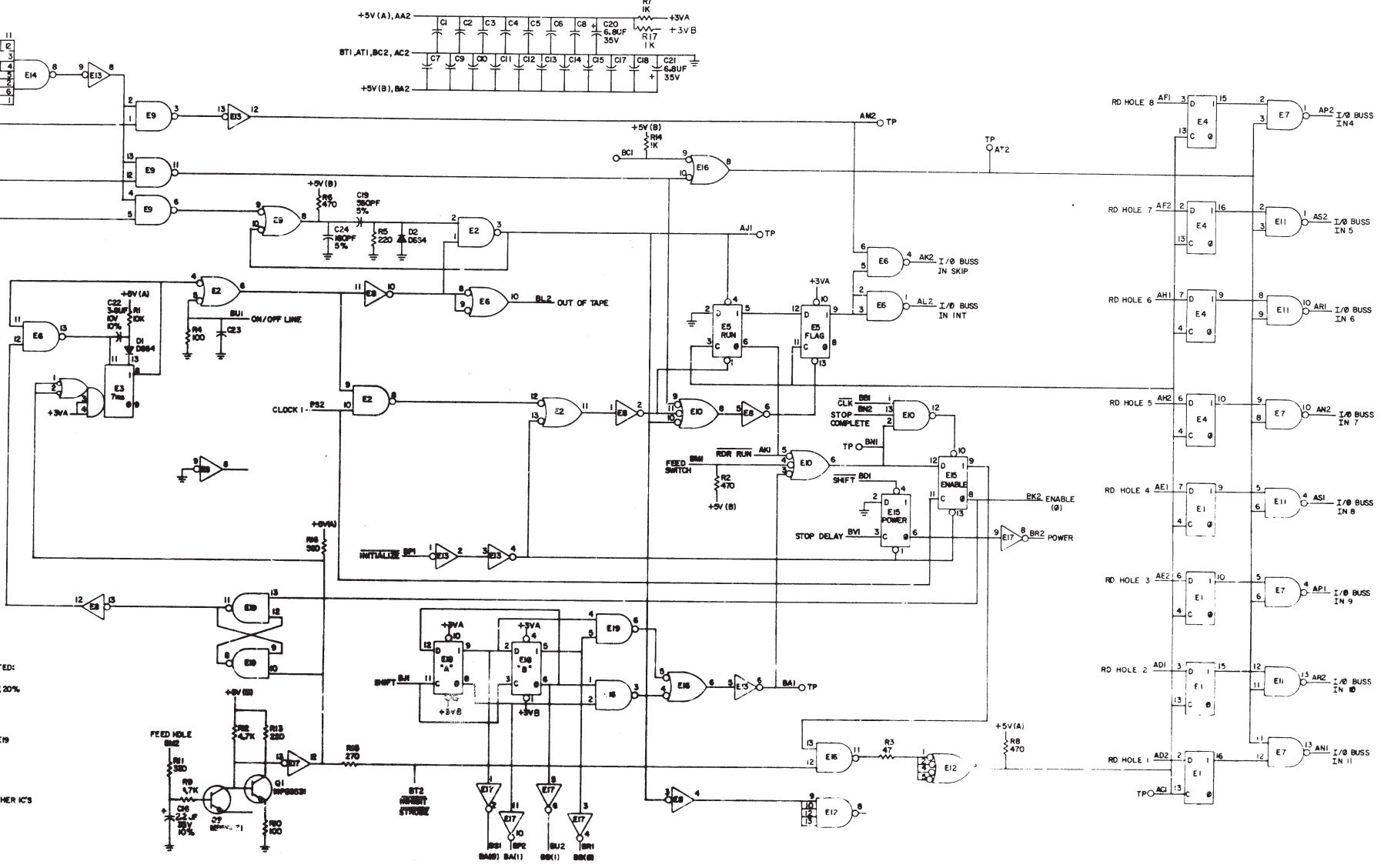


THIS SCHEMATIC IS PROVIDED ONLY FOR TEST AND MAINTENANCE PURPOSES. THE CIRCUITS ARE PROPRIETARY AND SHOULD BE TREATED ACCORDINGLY. COPYRIGHT 1971 BY DIGITAL EQUIPMENT CORPORATION.

1-0-0202 W SD 1 Q
#88888 100511/15

MB 3 (0) D2 11
MB 4 (0) BE2 3
MB 5 (0) BE1 2
MB 6 (0) BF2 2
MB 7 (0) BF1 6
MB 8 (1) BE2 1

IOP 1 (1) AU2
IOP 2 (1) AV2
IOP 4 (1) BK1



*UNLESS OTHERWISE INDICATED:
RESISTORS = 1/4W 5%
CAPACITORS = .01UF, 100N, 20%
DEC7401 = E2, E7, E11
DEC9801 = E3
DEC7404 = BU1, E13, E17
DEC7475 = E1, E4
DEC7476 = E5, E15, E18
DEC7400 = E2, E9, E16, E19
DEC7410 = E10
DEC7430 = E14
DEC7440 = E12
PIN 12 = GND ON E1, E4
PIN 5 = +5V
PIN 7 = GND
PIN 14 = +5V ON ALL OTHER IC'S



TRANSISTOR & DIODE CONVERSION CHART				TITLE	
DEC	EM	DEC	EA	READER CONTROL	
7401	7401	7401	7401	DATE	REV
7402	7402	7402	7402	DATE	REV
7403	7403	7403	7403	DATE	REV
7404	7404	7404	7404	DATE	REV
7405	7405	7405	7405	DATE	REV
7406	7406	7406	7406	DATE	REV
7407	7407	7407	7407	DATE	REV
7408	7408	7408	7408	DATE	REV
7409	7409	7409	7409	DATE	REV
7410	7410	7410	7410	DATE	REV
7411	7411	7411	7411	DATE	REV
7412	7412	7412	7412	DATE	REV
7413	7413	7413	7413	DATE	REV
7414	7414	7414	7414	DATE	REV
7415	7415	7415	7415	DATE	REV