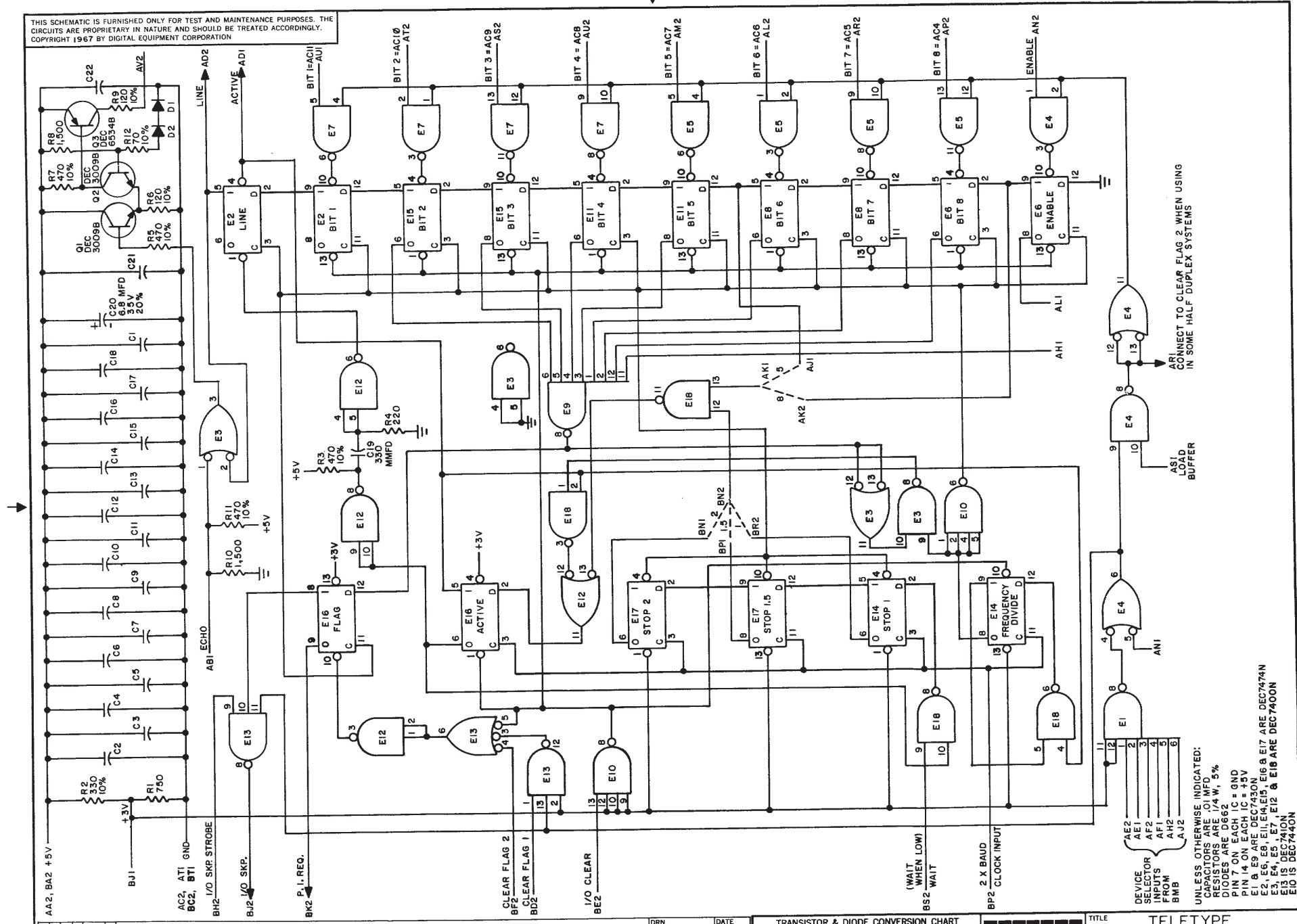


THIS SCHEMATIC IS FURNISHED ONLY FOR TEST AND MAINTENANCE PURPOSES. THE CIRCUITS ARE PROPRIETARY IN NATURE AND SHOULD BE TREATED ACCORDINGLY. COPYRIGHT 1967 BY DIGITAL EQUIPMENT CORPORATION



REV. NO.	CHK	CHG. NO.	REV.
1	W	8387	A
2	W	8579	B
3	W	00001	C
4	W	00002	C
5	W	00004	D

DRN.	DATE	CHKD.	DATE	DATE	DATE
Dr. Waller	5/29/67	W. Johnson	5/29/67	DEC 30098	2N3009
Ch. Roberts	5-23-67			DEC65348	MPS8534

TRANSISTOR & DIODE CONVERSION CHART			
DEC		EIA	
D682	2N3009	1N645	

digital
EQUIPMENT CORPORATION
MAYNARD, MASSACHUSETTS

TITLE			
TELETYPE TRANSMITTER M707			
SIZE	CODE	NUMBER	REV.
C	CS	M707-0-1	D
PRINTED CIRCUIT REV.			

SIZE CODE NUMBER REV.
C CS M707-0-1 D