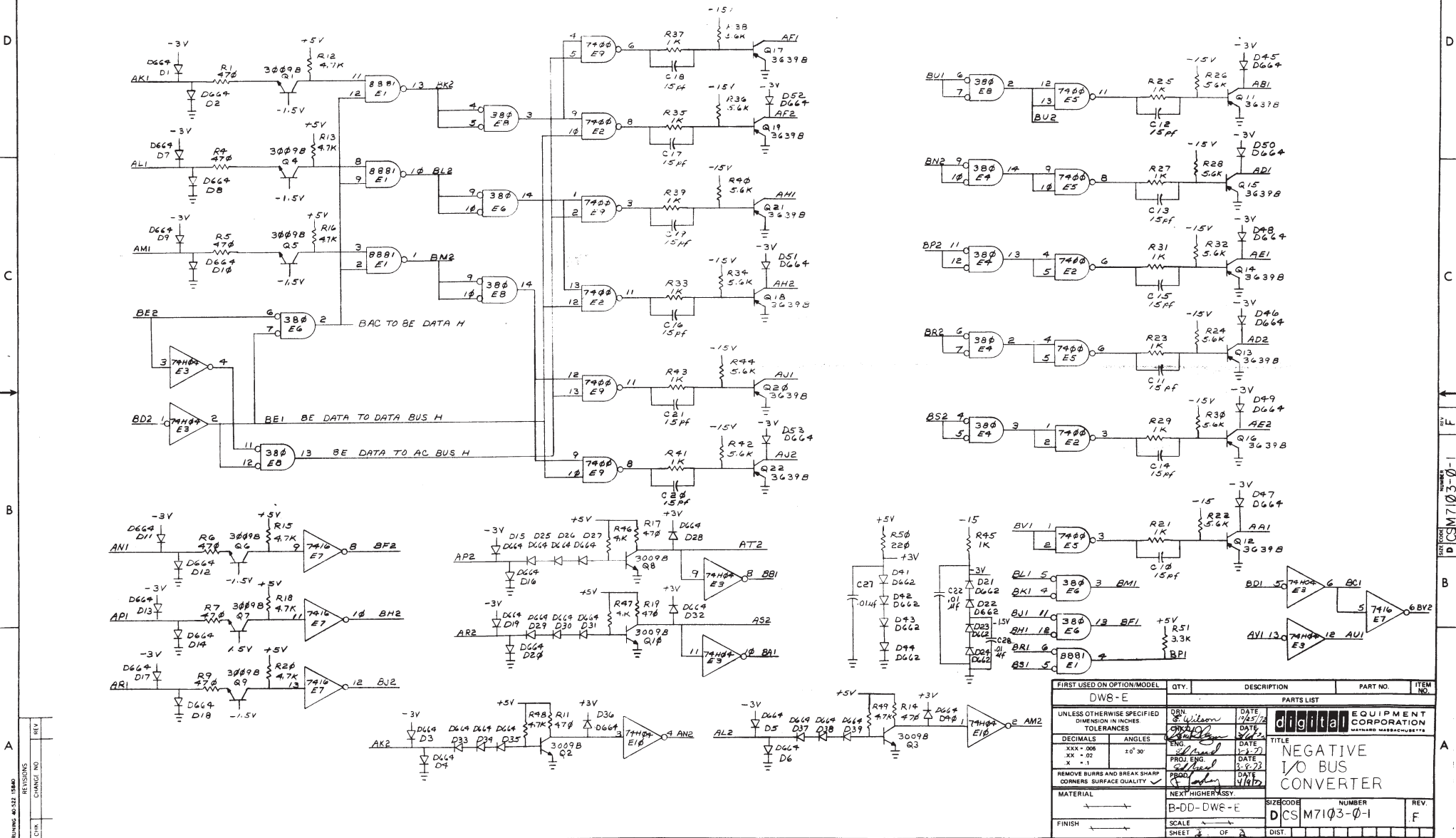


This drawing and specifications herein are the property of Digital Equipment Corporation and shall not be reproduced or used in whole or in part as a basis for the manufacture of any item without written permission. COPYRIGHT © 1972 DIGITAL EQUIPMENT CORPORATION



FIRST USED ON OPTION/MODEL	QTY.	DESCRIPTION	PART NO.	ITEM NO.
DWB-E				
PARTS LIST				
UNLESS OTHERWISE SPECIFIED DIMENSION IN INCHES TOLERANCES		DATE 12/5/72		
DECIMALS ANGLES		DATE 12/7/72		
XXX-006	±0°30'	ENG. DATE 12/7/72	TITLE NEGATIVE I/O BUS CONVERTER	
REMOVE BURRS AND BREAK SHARP CORNERS SURFACE QUALITY		DATE 12/7/72		
MATERIAL	NEXT HIGHER ASSY.	PROJ. 41672	NUMBER DCSM7103-0-1	
FINISH	B-00-DWB-E	SCALE		
SHEET 2 OF 2		DIST	REV. F	

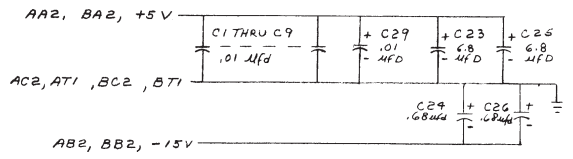
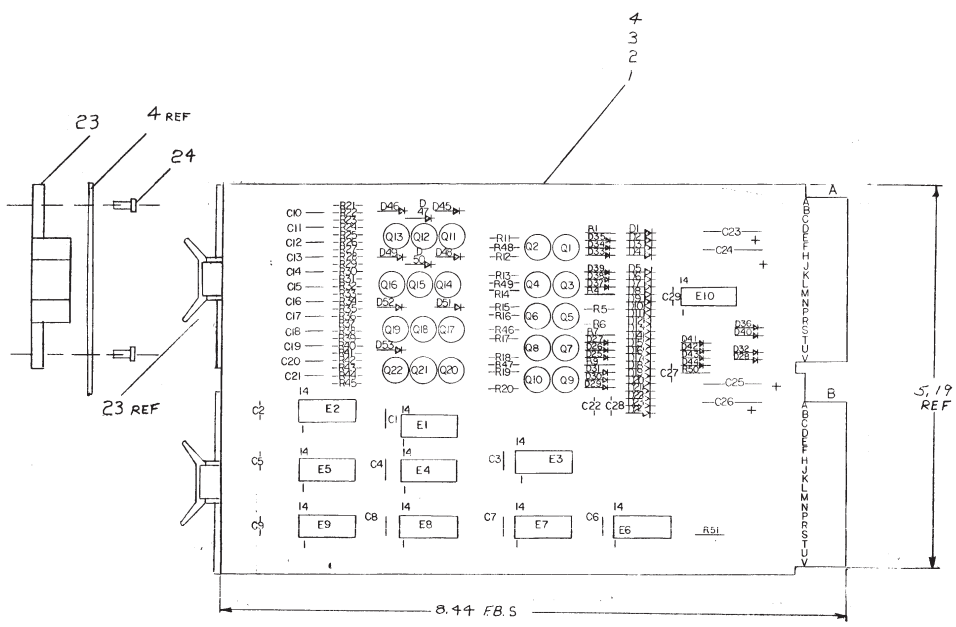
REV. NO. CHANGE NO. DATE 10/10/78

DCSM7103-0-1
 REV. F

This drawing and specifications herein are the property of Digital Equipment Corporation and shall not be reproduced or copied or used in whole or in part as the basis for the manufacture or sale of items without written permission. COPYRIGHT © 1973 DIGITAL EQUIPMENT CORPORATION

NOTES:

1. UNLESS OTHERWISE SPECIFIED RESISTANCE IS IN OHMS.



IC TYPE	GND	+5V
I.C. DEC 380	1	8
GND AND 5V ARE USUALLY PIN 7 AND 14 RESPECTIVELY. EXCEPTIONS ARE STATED ABOVE.		
IC PIN LOCATIONS		

DEC FORM NO. DRP-1554

REF	DESIGNATION	DESCRIPTION	PART NO.	ITEM NO.
REF		X-Y COORDINATE HOLE LOCATION	K-CO-M7103-0-1	1
REF		ASSY/DRILLING HOLE LAYOUT	D-AH-M7103-0-5	2
REF		MODULE E20 HISTORY	B-MH-M7103-0-6	3
1		ETCHED CIRCUIT BOARD	3009847	4
12	C10 THRU C21	CAP 150V 100V 5% DM	1000007	5
4	C23 THRU C26	CAP 5.6M 35V 10% STANT	1005906	6
13	C1 THRU C9, C22, C27, C28, C29	CAP .01uf 100V 20% DISC	1001610	7
8	D21 THRU D24, D41 THRU D44	DIODE D662	1100113	8
45	D1 THRU D20, D25 THRU D40, D45-D57	DIODE D649	1100114	9
10	R1, R4 THRU R7, R9, R11, R14, R17, R19	RES. 470 1/4 W 5%	1300316	10
13	R21, R23, R25, R27, R29, R31, R33, R35, R37, R39, R41, R43, R45	RES. 1K 1/4 W 5%	1300345	11
10	R12, R13, R15, R16, R18, R20, R42 THRU R49	RES. 4.7K 1/4 W 5%	1300447	12
12	R22, R24, R26, R28, R30, R32, R34, R36, R38, R40, R42, R44	RES. 5.6K 1/4 5%	1301874	13
1	R50	RES. 220 1/4 5%	1300271	14
1	R51	RES. 3.3K 1/4 5%	1300439	15
10	Q1 THRU Q10	TRANS. DEC 3009B	1503100	16
12	Q11 THRU Q22	TRANS. DEC 3439B	1502702 00	17
3	E4, E6, E8	I.C. DEC 380	1909485	18
1	E1	I.C. DEC 88B1	1909705	19
1	E7	I.C. DEC 7416	1909428	20
2	E3, E10	I.C. DEC 74H09	1909931	21
2	E2, E5, E9	I.C. DEC 7400	1905575	22
2		HANDLE FLIP CHIP - MAGENTA	9008337-04	23
4		EYELET (GS-4-7)	9006732	24

FIRST USED ON OPTION MODEL		PARTS LIST																			
DW 5-E	ETCH BOARD REV	F																			
<table border="1"> <tr> <td>DRN</td> <td>DATE</td> <td>11/15/72</td> </tr> <tr> <td>ENGR</td> <td>DATE</td> <td>5/6/72</td> </tr> <tr> <td>PROJ. ENG.</td> <td>DATE</td> <td>1/11/72</td> </tr> <tr> <td>PROD.</td> <td>DATE</td> <td>1/11/72</td> </tr> <tr> <td>NEXT HIGHEN ASSY</td> <td></td> <td></td> </tr> <tr> <td>DWG. IN CH.</td> <td></td> <td></td> </tr> </table>				DRN	DATE	11/15/72	ENGR	DATE	5/6/72	PROJ. ENG.	DATE	1/11/72	PROD.	DATE	1/11/72	NEXT HIGHEN ASSY			DWG. IN CH.		
DRN	DATE	11/15/72																			
ENGR	DATE	5/6/72																			
PROJ. ENG.	DATE	1/11/72																			
PROD.	DATE	1/11/72																			
NEXT HIGHEN ASSY																					
DWG. IN CH.																					
DEC NO.		EIA NO.																			
SEMICONDUCTOR CONVERSION CHART																					
SCALE		NOTE																			
SHEET 1		OF 2																			

digital EQUIPMENT CORPORATION
NEGATIVE
IC BUS
CONVERTER

PART NO. DCS M7103-0-1
 REV. F
 SHEET 1 OF 2