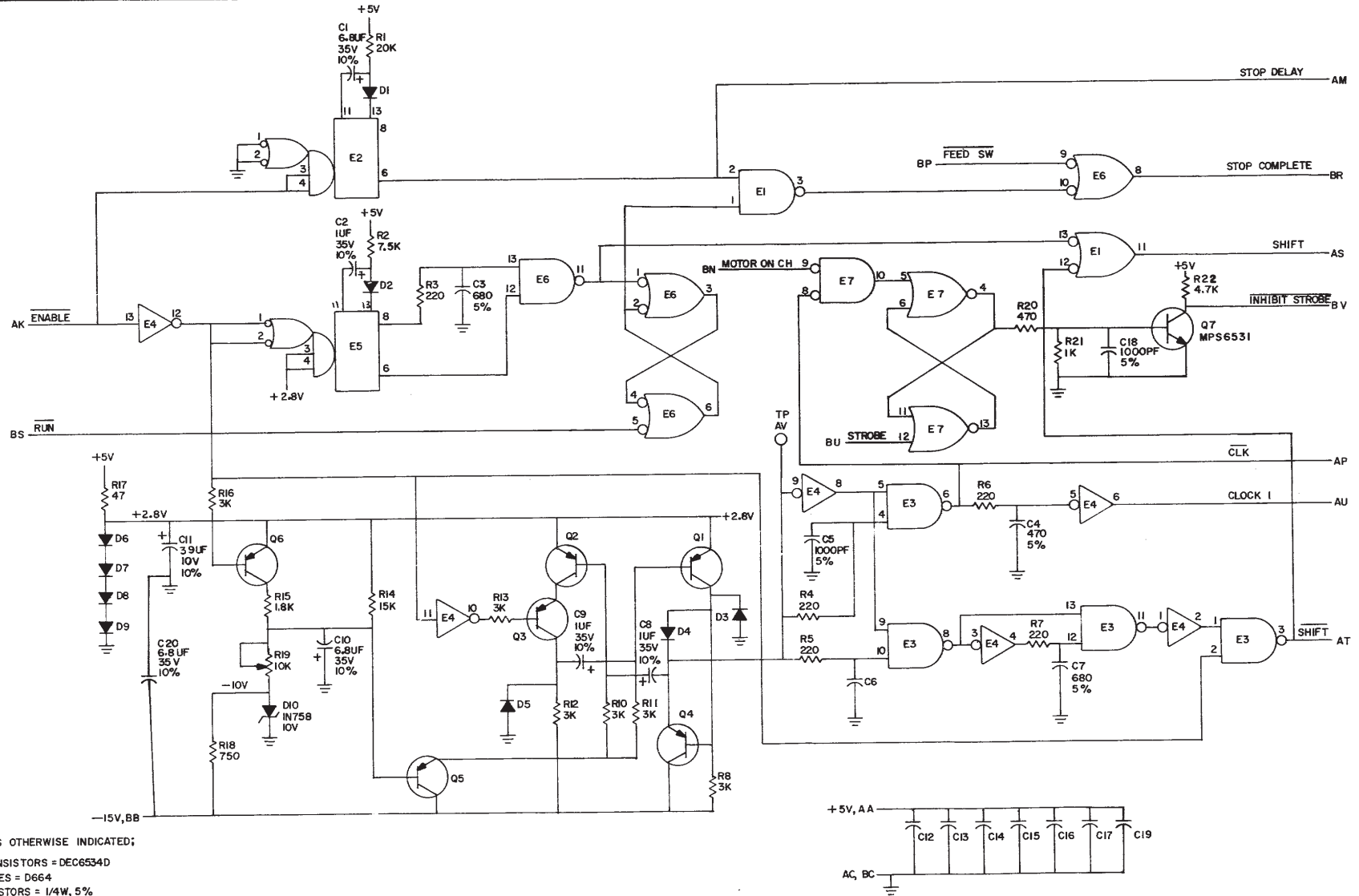


THIS SCHEMATIC IS FURNISHED ONLY FOR TEST AND MAINTENANCE PURPOSES. THE CIRCUITS ARE PROPRIETARY IN NATURE AND SHOULD BE TREATED ACCORDINGLY. COPYRIGHT 1967 BY DIGITAL EQUIPMENT CORPORATION



UNLESS OTHERWISE INDICATED;

- TRANSISTORS = DEC6534D
- DIODES = D664
- RESISTORS = 1/4W, 5%
- CAPACITORS = .01UF, 100V, 20%
- E1, E3, E6 = DEC7400
- E4 = DEC7404
- E2, E5 = DEC9601
- PIN 7 = GND
- PIN 14 = +5V ON ALL IC'S
- E7 = DEC7402

REV	DATE	BY	CHK	CHK NO	REV
1	00002	E			K
2	00006	K			
3	00008	REAR			
4	00002	CANCELS			
5	00002	ECD			

DEC FORM NC
DRC 102

DRN	M. HALLER	DATE	10/16/67
CHK'D	R. SILVERMAN	DATE	11/2/67
ENG.	R. G. SOG6E	DATE	11/2/67
PROD.		DATE	

TRANSISTOR & DIODE CONVERSION CHART			
DEC	EIA	DEC	EIA
DEC6534D	MPS6534	IN758	SAME
D664	IN3606		
DEC6531	MPS6531		

digital
EQUIPMENT CORPORATION
MAYNARD, MASSACHUSETTS

TITLE
READER CLOCK M715

SIZE	CODE	NUMBER	REV.
C	CS	M715-0-1	K
PRINTED CIRCUIT REV			E

REV. K
NUMBER M715-0-1
SIZE CODE C CS