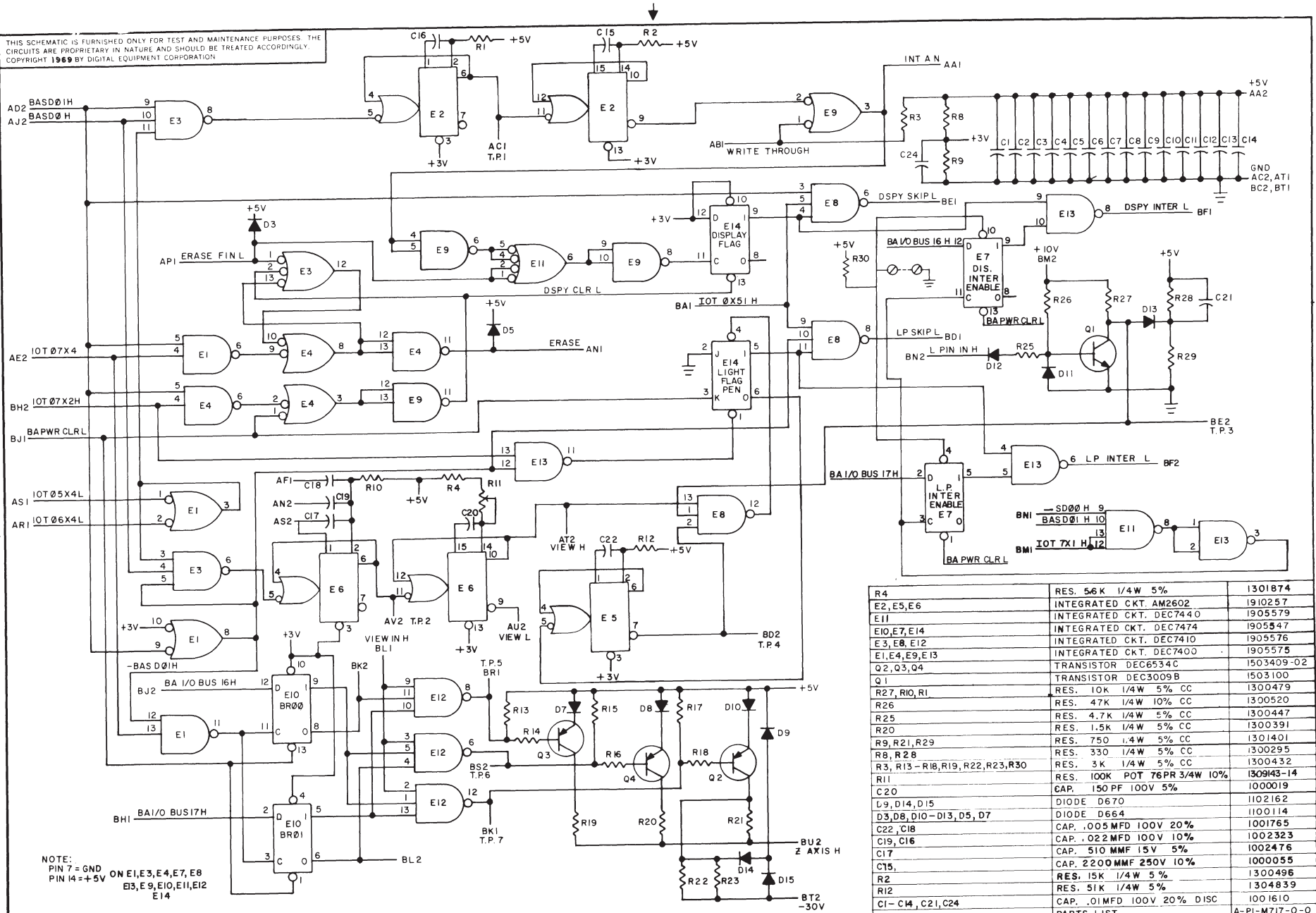


THIS SCHEMATIC IS FURNISHED ONLY FOR TEST AND MAINTENANCE PURPOSES. THE CIRCUITS ARE PROPRIETARY IN NATURE AND SHOULD BE TREATED ACCORDINGLY. COPYRIGHT 1969 BY DIGITAL EQUIPMENT CORPORATION.

M717-2



NOTE:
PIN 7 = GND ON E1, E3, E4, E7, E8
PIN 14 = +5V ON E3, E9, E10, E11, E12, E14

PIN 8 = GND ON E2, E5, E6
PIN 16 = +5V
JUMPER NORMALLY OUT

REFERENCE DESIGNATION	DESCRIPTION	PART NO
R4	RES. 56K 1/4W 5%	1301874
E2, E5, E6	INTEGRATED CKT. AM2602	1910257
E11	INTEGRATED CKT. DEC7440	1905579
E10, E7, E14	INTEGRATED CKT. DEC7474	1905547
E3, E8, E12	INTEGRATED CKT. DEC7410	1905576
E1, E4, E9, E13	INTEGRATED CKT. DEC7400	1905575
Q2, Q3, Q4	TRANSISTOR DEC6534C	1503409-02
Q1	TRANSISTOR DEC3009B	1503100
R27, R10, R1	RES. 10K 1/4W 5% CC	1300479
R26	RES. 47K 1/4W 10% CC	1300520
R25	RES. 4.7K 1/4W 5% CC	1300447
R20	RES. 1.5K 1/4W 5% CC	1300391
R9, R21, R29	RES. 750 1/4W 5% CC	1301401
R8, R28	RES. 330 1/4W 5% CC	1300295
R3, R13-R18, R19, R22, R23, R30	RES. 3K 1/4W 5% CC	1300432
R11	RES. 100K POT 76PR 3/4W 10%	130943-14
C20	CAP. 150 PF 100V 5%	1000019
L9, D14, D15	DIODE D670	1102162
D3, D8, D10-D13, D5, D7	DIODE D664	1100114
C22, C18	CAP. .005 MFD 100V 20%	1001765
C19, C16	CAP. .022 MFD 100V 10%	1002323
C17	CAP. 510 MMF 15V 5%	1002476
C15	CAP. 2200 MMF 250V 10%	1000055
R2	RES. 15K 1/4W 5%	1300496
R12	RES. 51K 1/4W 5%	1304839
C1-C4, C21, C24	CAP. .01MFD 100V 20% DISC	1001610
	PARTS LIST	A-PL-M717-0-0

REVISIONS	CHK	ENG	REV.
1	00001	B	1
2	00002	C	1

DRN	DATE	CHK'D	DATE
M. Buller	3-12-69		

TRANSISTOR & DIODE CONVERSION CHART			
DEC	EIA	DEC	EIA
D664	IN3606		
D670	IN3653		
DEC3009B	2N3009		
DEC6534B	MP6534		

digital EQUIPMENT CORPORATION
MAYNARD, MASSACHUSETTS

TITLE: DISPLAY CONTROL VP09 M717
SIZE: C CODE: CS NUMBER: M717-0-1 REV: C

PRINTED CIRCUIT REV.

Dist. 324, 434, 43
Pink