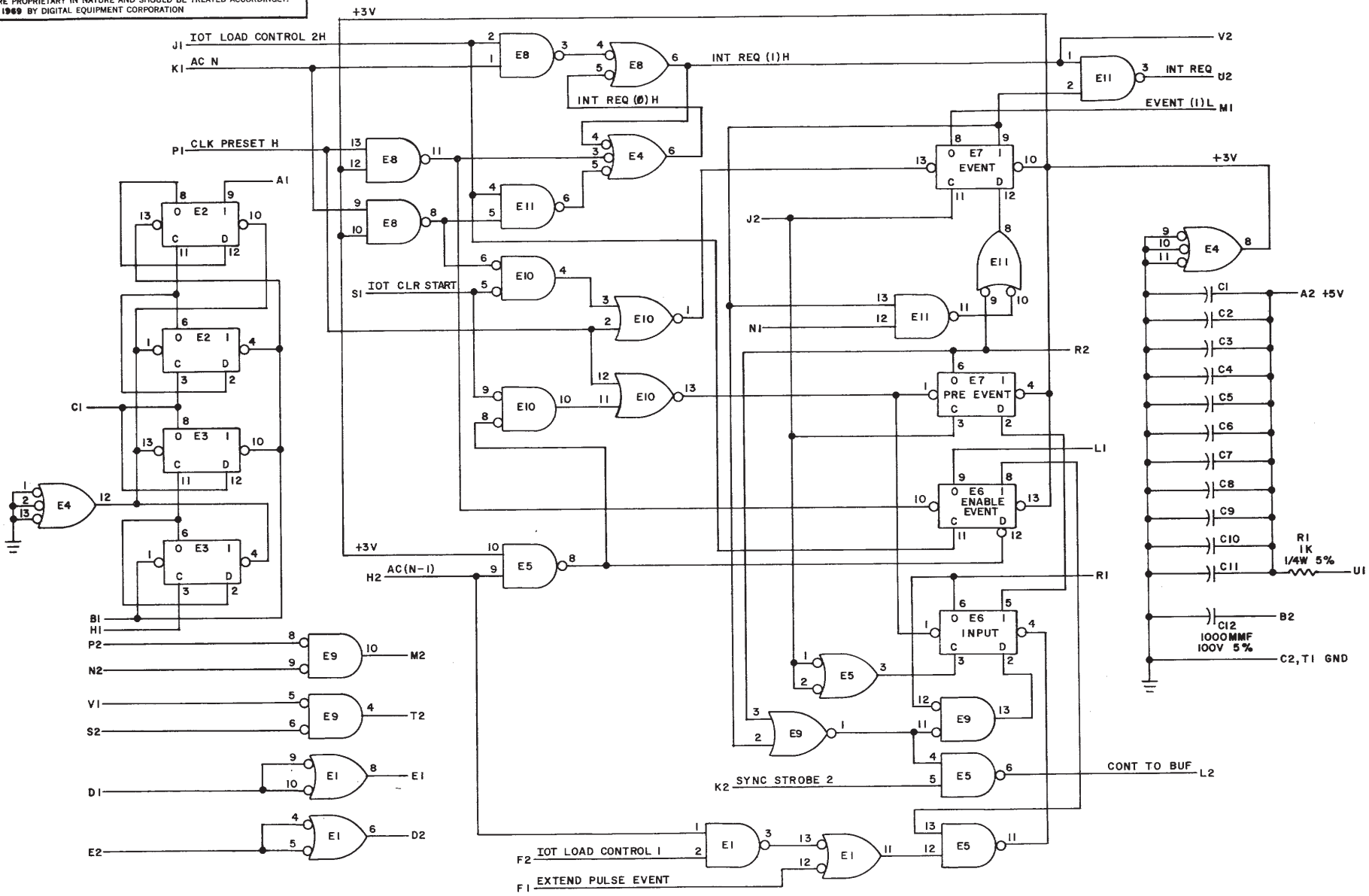


THIS SCHEMATIC IS FURNISHED ONLY FOR TEST AND MAINTENANCE PURPOSES. THE CIRCUITS ARE PROPRIETARY IN NATURE AND SHOULD BE TREATED ACCORDINGLY. COPYRIGHT 1969 BY DIGITAL EQUIPMENT CORPORATION



UNLESS OTHERWISE INDICATED:
 CAPACITORS ARE .01MFD
 PIN 7 ON EACH IC = GND
 PIN 14 ON EACH IC = +5V
 E1, E5, E8, E11 ARE DEC7400N
 E2, E3, E6, E7 ARE DEC7474N
 E4 IS DEC7410N
 E9, E10 ARE DEC7402N

REVISIONS	CHK	CHG	NO.	REV.

DRN	M. Waller	DATE	4-9-69
CHK'D	M. M. M. M.	DATE	4-14-69
ENG.		DATE	
PROD.		DATE	

TRANSISTOR & DIODE CONVERSION CHART			
DEC	EIA	DEC	EIA

digital
 EQUIPMENT CORPORATION
 MAYNARD, MASSACHUSETTS

TITLE: KW12 CLOCK INPUT SYNCHRONIZER M719

SIZE	CODE	NUMBER	REV.
C	CS	M719-0-1	

PRINTED CIRCUIT REV A

REV. NUMBER
 SIZE CODE NUMBER
 C CS M719-0-1