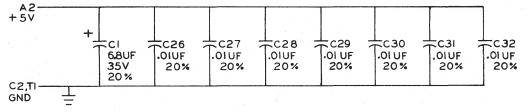
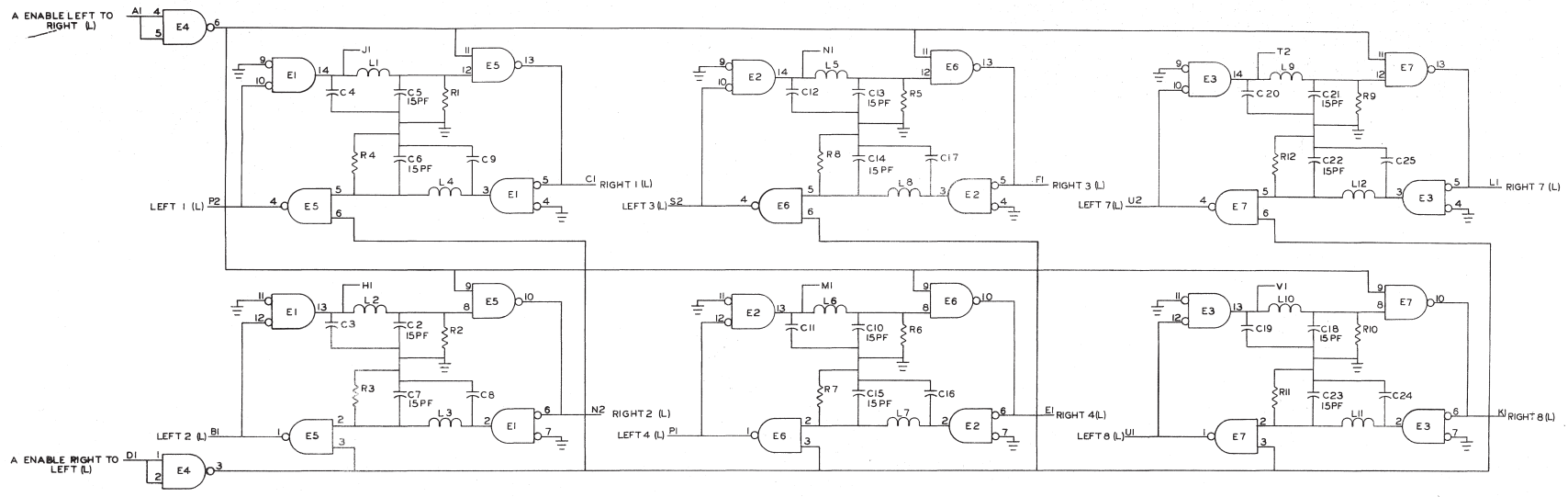


THIS SCHEMATIC IS FURNISHED ONLY FOR TEST AND MAINTENANCE PURPOSES. THE CIRCUITS ARE PROPRIETARY IN NATURE AND SHOULD BE TREATED ACCORDINGLY. COPYRIGHT 1971 BY DIGITAL EQUIPMENT CORPORATION



UNLESS OTHERWISE SPECIFIED  
 CAPACITORS ARE 100 PF, 00V, 5%  
 RESISTORS ARE 1K, 1/4W, 5%  
 INDUCTORS ARE 47UH  
 PIN 7 = GND ON EACH IC EXCEPT DEC8640  
 PIN 14 = +5V  
 PIN 1 = GND ON DEC 8640  
 PIN 8 = +5V ON DEC 8640  
 E1,E2,E3 = DEC 8640  
 E4 = DEC 74H00  
 E5 E6 E7 = DEC 8881

REV	DATE	BY	CHKD
1	11/10/71	W. BOSTON	
2	12/22/71		

DATE	TIME	DATE	TIME
11/10/71	11:00		

TRANSISTOR & DIODE CONVERSION CHART			
DEC	EIA	DEC	EIA

digital EQUIPMENT CORPORATION  
 TITLE: BUS REPEATER A LINES  
 NUMBER: M7212-0-1  
 PRINTED CIRCUIT REV: 01