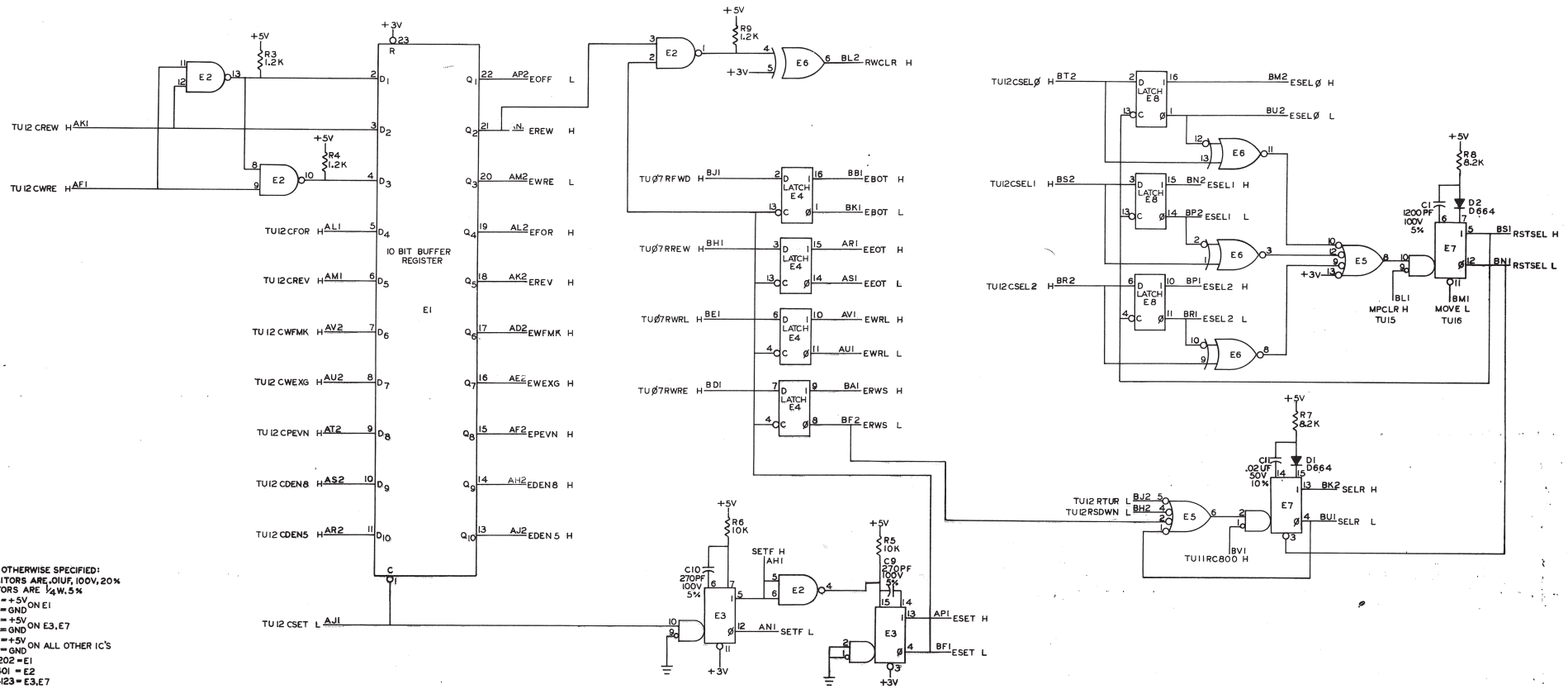
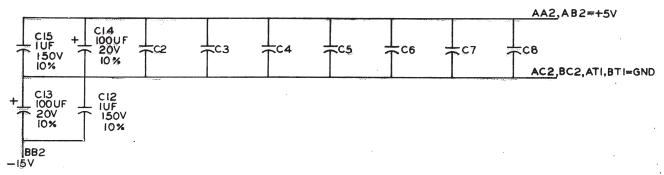
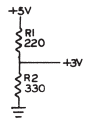


THIS SCHEMATIC IS FURNISHED ONLY FOR TEST AND MAINTENANCE PURPOSES. THE CIRCUITS ARE PROPRIETARY IN NATURE AND SHOULD BE TREATED ACCORDINGLY. COPYRIGHT 1971 BY DIGITAL EQUIPMENT CORPORATION

V 1-0-2/9LW SD Q
 316 21711 3921 1213



UNLESS OTHERWISE SPECIFIED:
 CAPACITORS ARE .01U, 100V, 20%
 RESISTORS ARE 1/4W, 5%
 PIN 24 = +5V
 PIN 12 = GND ON E1
 PIN 16 = +5V
 PIN 8 = GND ON E3, E7
 PIN 14 = +5V
 PIN 7 = GND ON ALL OTHER IC'S
 DEC 8202 = E1
 DEC 7401 = E2
 DEC 74123 = E3, E7
 DEC 7475 = E4, E8
 DEC 7420 = E5
 DEC 7486 = E6
 PIN 12 = GND ON E4, E8
 PIN 5 = +5V

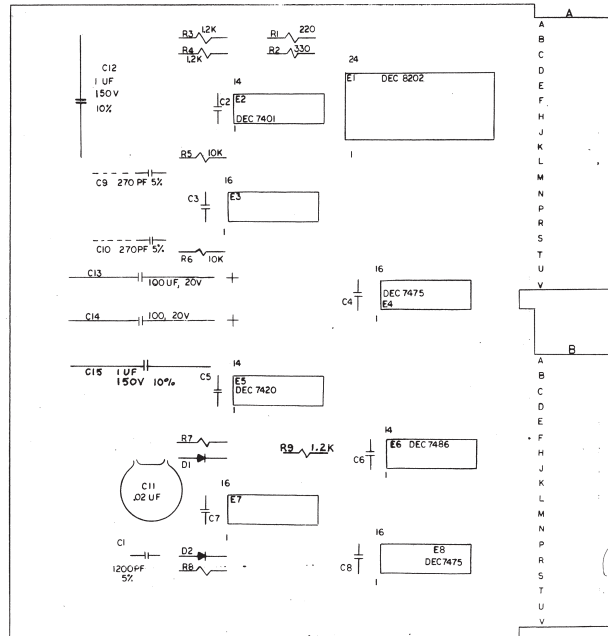


SHEET 2 OF 2

REV. NO. 1 DATE 10/20/71 BY J. J. [unclear]	R. J. DOUCETTE 2-19-71 DATE 10/20/71 BY J. J. [unclear]	TRANSISTOR & DIODE CONVERSION CHART DEC EIA DEC EIA D664 IN3806		TITLE TU 10 COMMAND BUFFERS TU13
	DEC 8202 = E1 DEC 7401 = E2 DEC 74123 = E3, E7 DEC 7475 = E4, E8 DEC 7420 = E5 DEC 7486 = E6 PIN 12 = GND ON E4, E8 PIN 5 = +5V	SIZE D CODE CS NUMBER M7672-0-1 PRINTED CIRCUIT REV. B	DIGITAL EQUIPMENT CORPORATION MAYNARD, MASSACHUSETTS	
	10 BIT BUFFER REGISTER AA2, AB2 = +5V AC2, BC2, AT1, BT1 = GND			

THIS SCHEMATIC IS FURNISHED ONLY FOR TEST AND MAINTENANCE PURPOSES. THE CIRCUITS ARE PROPRIETARY IN NATURE AND SHOULD BE TREATED ACCORDINGLY. COPYRIGHT 1969 BY DIGITAL EQUIPMENT CORPORATION.

1-0-2/9LW SC Q
#387000 1000 1000



QTY.	REF DESIGNATION	DESCRIPTION	DEC PART NO.	REV	NO.
2		HANDLS. FLTP CHTP - MAGENTA	9008337-06	35	
4		BYELBY, HANDLS.	9006732	24	
1	R1	I.C. DEC 8202	1910275	23	
2	R3, 7	I.C. DEC 74123	1910496	22	
1	E6	I.C. DEC 7486	1310011	21	
2	E4, 8	I.C. DEC 7475	1909050	20	
1	E2	I.C. DEC 7401	1805590	19	
1	E5	I.C. DEC 7420	1805372	18	
2	R7, 8	RES. 8.2K 1W 5%	1303275	17	
3	R3, 4, 9	RES. 1.2K 1W 5%	1301320	16	
2	R5, 6	RES. 10K 1W 5%	1300478	15	
1	R2	RES. 330 1W 5%	1300285	14	
1	R1	RES. 220 1W 5%	1300371	13	
		GRIPLET	1210244-0	12	
2	D1, 2	DIODE D664	1100114	11	
2	C12, 15	CAP. 1 uF 150V 10% FOIL	1000063	10	
1	C1	CAP. 1200PF 100V 5% D.M.	1002619	9	
7	C2 - C8	CAP. .01 uF 100V 20% DISC	1001610	8	
2	C9, 10	CAP. 270 100V 5% D.M.	1000022	7	
1	C11	CAP. .02 uF 100V -0.420% DISC	1000004	6	
2	C13, 14	CAP. 100 uF 20V 10% TANT	1004815	5	
1		ETCHED CIRCUIT BOARD	5009577	4	
		MODULE ECO HISTORY	B-MH-M7672-0-6	3	
		ASSY/DRILLING LAYOUT	D-MH-M7672-0-5	2	
		X-Y COORDINATE HOLE LOCATION	K-CO-M7672-0-4	1	
		PARTS LIST			

SHEET 1 OF 2

REV	DATE	BY	CHKD	APPROV
1	11/17/70	W. J.

DATE	BY	CHKD	APPROV
11/17/70	W. J.

DEC	EIA	DEC	EIA

digital TITLE TU 10 COMMAND BUFFERS TU13

EQUIPMENT CORPORATION NUMBER M7672-0-1 REV A

PRINTED CIRCUIT REV. []