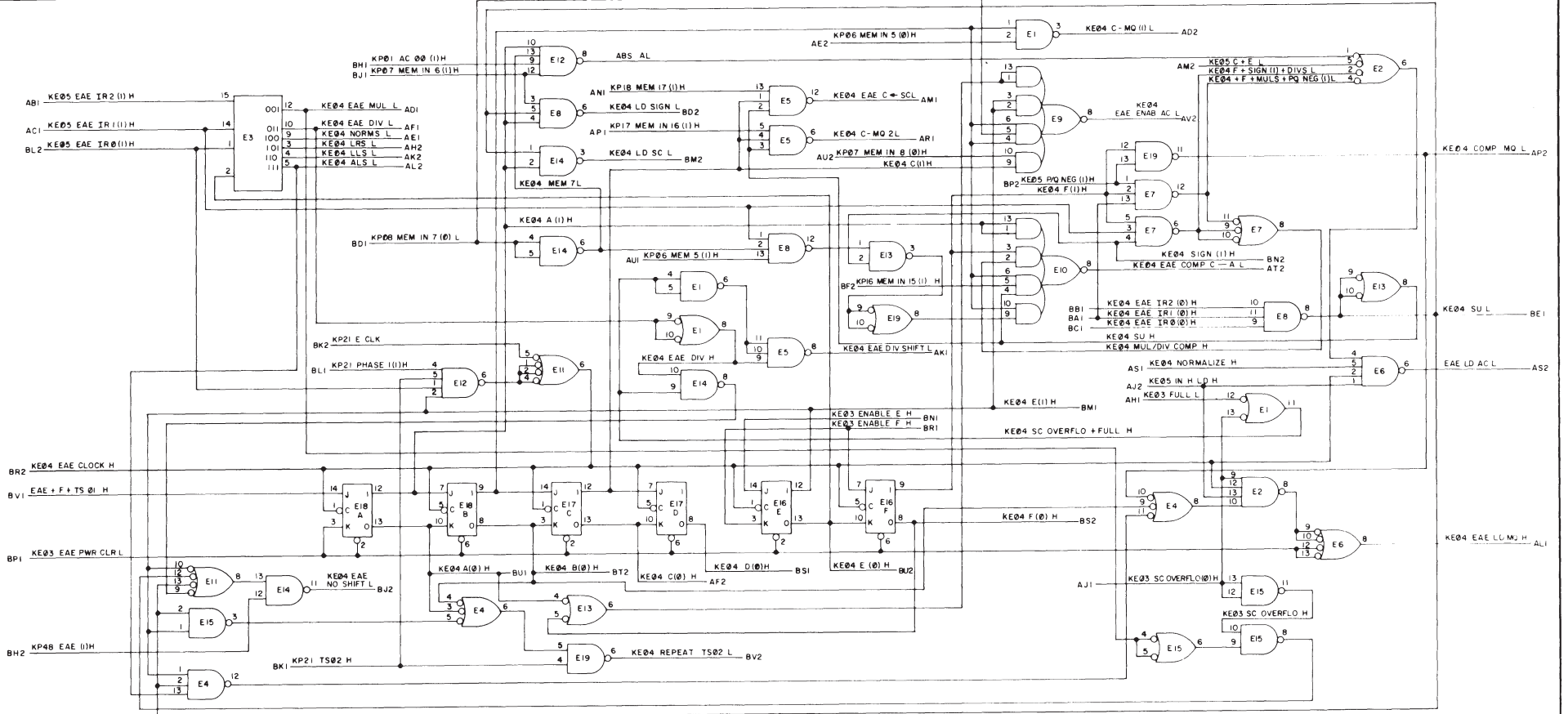
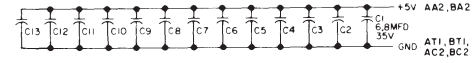


THIS SCHEMATIC IS FURNISHED ONLY FOR TEST AND MAINTENANCE PURPOSES. THE CIRCUITS ARE PROPRIETARY IN NATURE AND SHOULD BE TREATED ACCORDINGLY. COPYRIGHT 1988 BY DIGITAL EQUIPMENT CORPORATION.



UNLESS OTHERWISE INDICATED:  
 CAPACITORS ARE 0.001, 0.002, 20%  
 E1, E13, E14, E15, E19 ARE DEC74H00  
 E2, E12 ARE DEC74H00  
 E3 IS DEC9301  
 E4, E5, E7, E8 ARE DEC74H10  
 E9, E10 ARE DEC74H43  
 E6, E11 ARE DEC74H40  
 E16 THRU E18 ARE DEC7473

PIN 11 ON DEC7473 + GND  
 PIN 4 ON DEC7473 + 5V  
 PIN 14 ON EACH IC EXCEPT DEC7473 AND DEC9301 + 5V  
 PIN 7 ON EACH IC EXCEPT DEC7473 AND DEC9301 + GND  
 PIN 16 ON DEC9301 + 5V  
 PIN 8 ON DEC9301 + GND



M770-2

REV	DATE	TRANSISTOR & DIODE CONVERSION CHART	TITLE EAE CONTROL M770
1	12-8-88	DEC EIA DEC EIA	
DESIGNED BY	DATE	DEC EIA DEC EIA	DIGITAL EQUIPMENT CORPORATION MIDDLESEX, MASSACHUSETTS
DRAWN BY	DATE	DEC EIA DEC EIA	
CHECKED BY	DATE	DEC EIA DEC EIA	SIZE CODE NUMBER D CS M770-01-1
APPROVED BY	DATE	DEC EIA DEC EIA	REV A