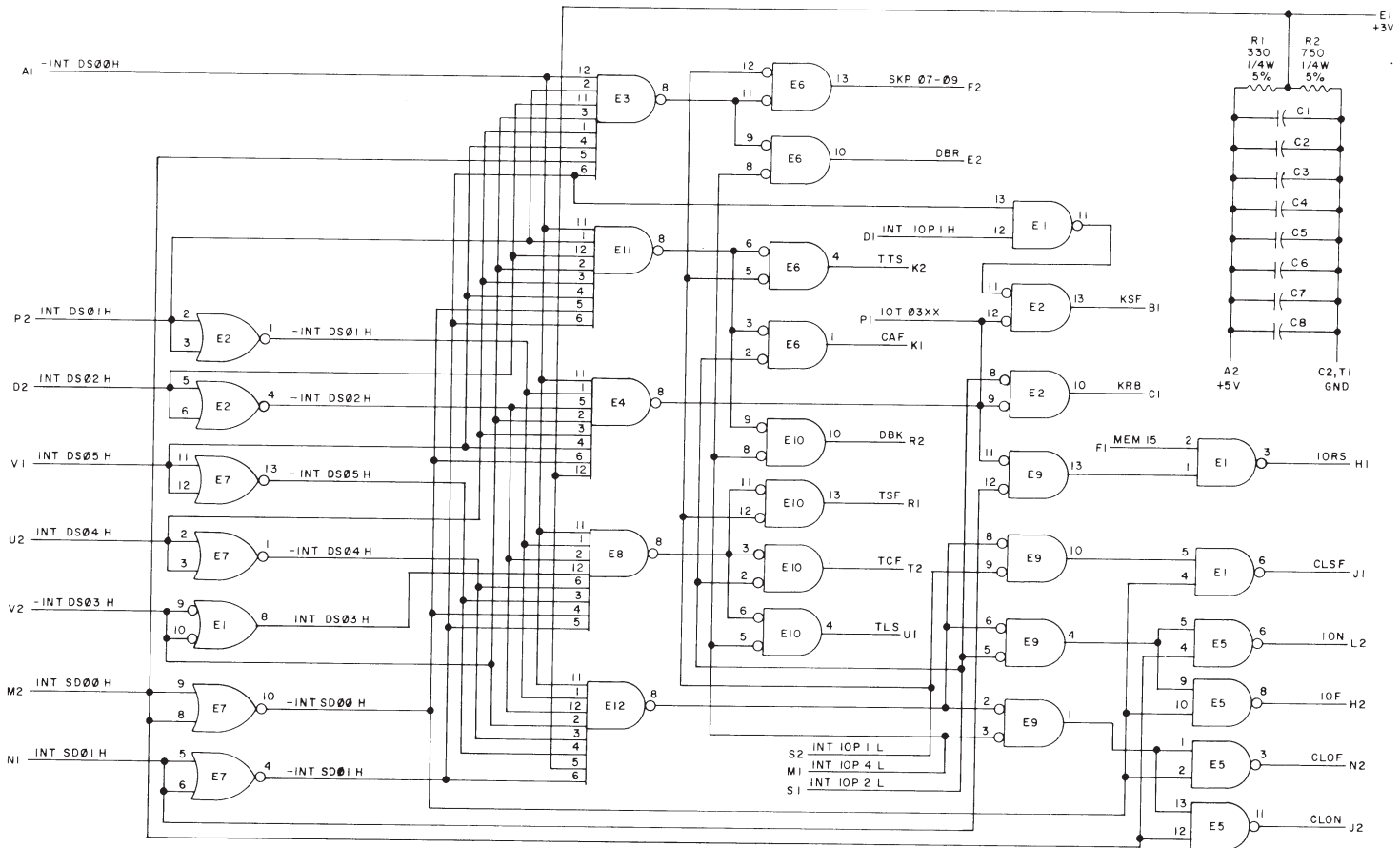


THIS SCHEMATIC IS INTENDED ONLY FOR TEST AND MAINTENANCE PURPOSES. THE CIRCUITS ARE PROPRIETARY IN NATURE AND SHOULD BE TREATED ACCORDINGLY. COPYRIGHT 1969 BY DIGITAL EQUIPMENT CORPORATION.



UNLESS OTHERWISE INDICATED:
 PIN 7 ON EACH IC = GND
 PIN 14 ON EACH IC = +5V
 E1, E5 ARE DEC7400N
 E2, E6, E7, E9, E10 ARE DEC7402N
 E3, E4, E8, E11, E12 ARE DEC7430N
 CAPACITORS ARE .01MFD, 100V, 20%

M771-2

REVISIONS	DATE	BY
1		
2		
3		
4		
5		

DATE	BY
5-9-69	

CHK'D	DATE

ENG	DATE

PROD.	DATE

DRN	DATE

DATE	BY

DATE	BY

DATE	BY

DATE	BY

DATE	BY

DATE	BY

DATE	BY

DATE	BY

DATE	BY

DATE	BY

DATE	BY

DATE	BY

DATE	BY

DATE	BY

DATE	BY

DATE	BY

DATE	BY

DATE	BY

DATE	BY

DATE	BY

DATE	BY

DATE	BY

DATE	BY

DATE	BY

DATE	BY

DATE	BY

DATE	BY

DATE	BY

DATE	BY

DATE	BY

DATE	BY

DRN	DATE

DATE	BY

DATE	BY

DATE	BY

DATE	BY

DATE	BY

DATE	BY

TRANSISTOR & DIODE CONVERSION CHART

digital
 EQUIPMENT CORPORATION
 MAYNARD, MASSACHUSETTS

TITLE
 INTERNAL IOT DECODER
 M771
 NUMBER
 M771-0-1
 REV
 A

SIZE	CODE	NUMBER	REV
C	CS	M771-0-1	A

PRINTED CIRCUIT REV. A