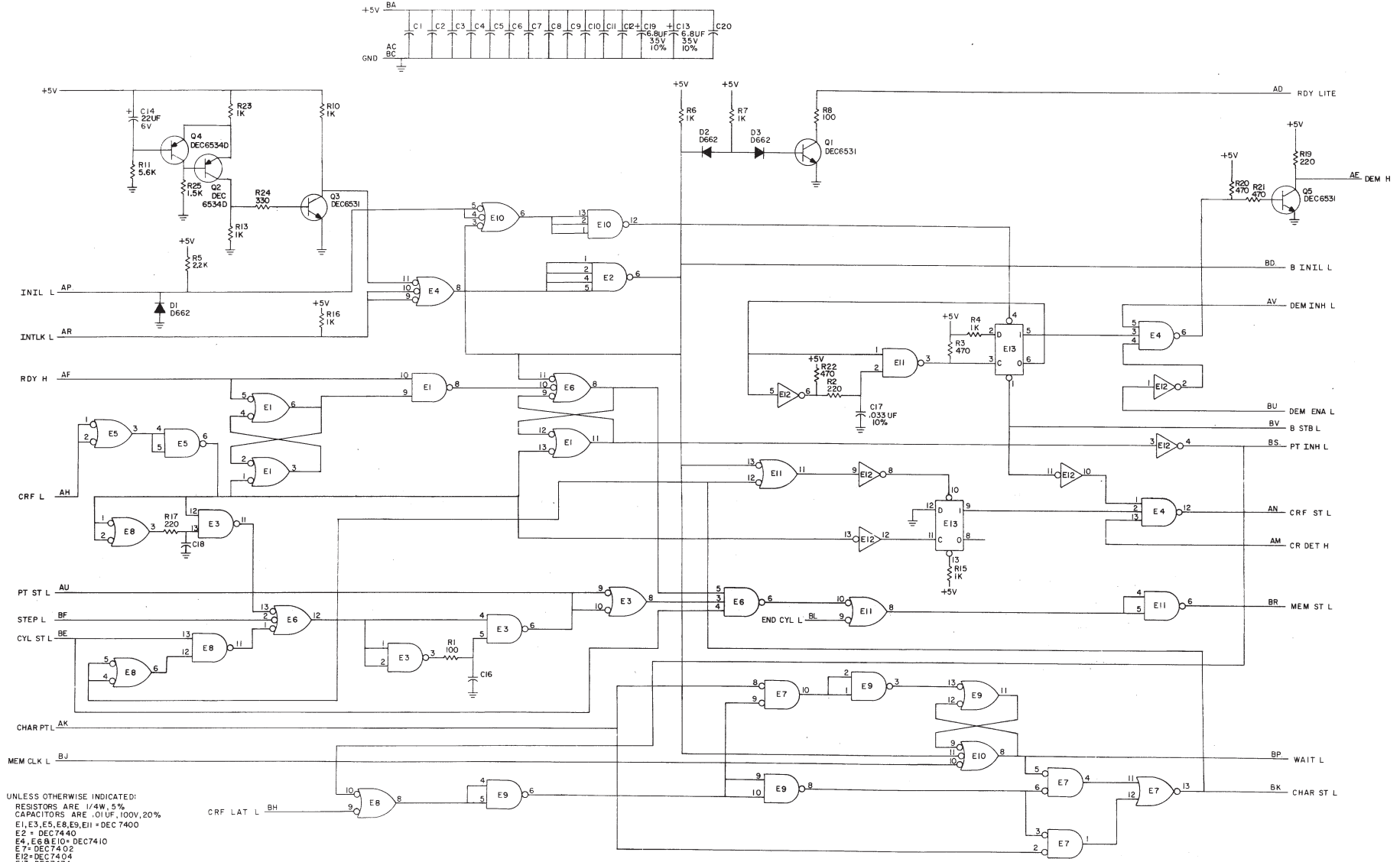


THIS SCHEMATIC IS FURNISHED ONLY FOR TEST AND MAINTENANCE PURPOSES. THE CIRCUITS ARE PROPRIETARY IN NATURE AND SHOULD BE TREATED ACCORDINGLY. COPYRIGHT 1973 BY DIGITAL EQUIPMENT CORPORATION



UNLESS OTHERWISE INDICATED:
RESISTORS ARE 1/4W, 5%
CAPACITORS ARE .01 uF, 100V, 20%
E1, E3, E5, E8, E9, E11 = DEC 7400
E2 = DEC 7440
E4, E6, E10 = DEC 7410
E7 = DEC 7402
E12 = DEC 7404
E13 = DEC 7474
PIN 7 = GND ON EACH IC
PIN 14 = +5V

REVISIONS	DATE	BY	CHKD	DATE	BY	DATE	BY
1	10/20/73
2	10/20/73
3	10/20/73
4	10/20/73
5	10/20/73

TRANSISTOR & DIODE CONVERSION CHART			
DEC	EIA	DEC	EIA
D662	1N645	DEC6531	MP6531A
DEC6534D	MP6534A	DEC6534D	MP6534A

digital		EQUIPMENT		CORPORATION		CONTROL LOGIC A	
SIZE	CODE	NUMBER	REV				
D	CS	M7711-0-1	F				