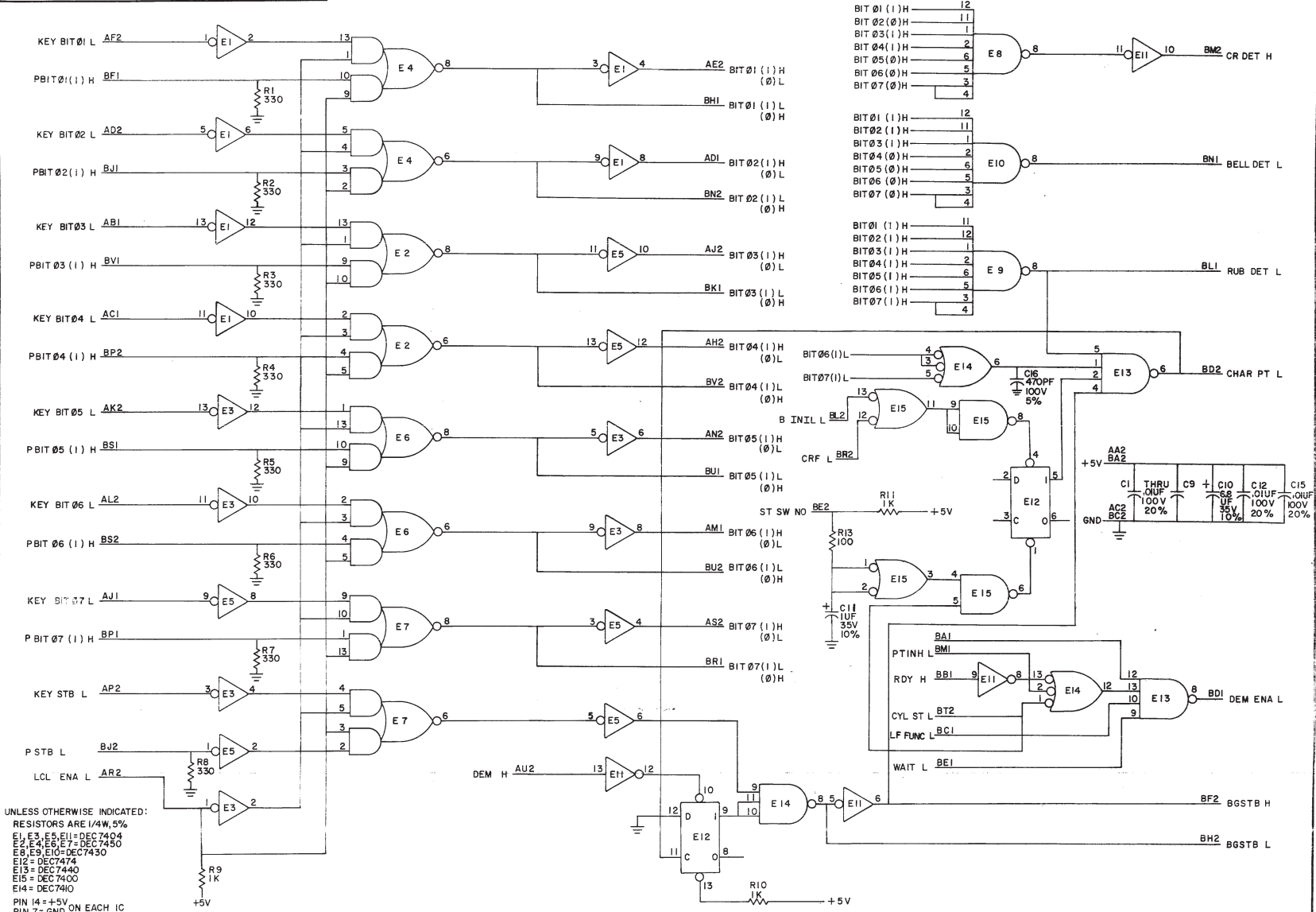


THIS SCHEMATIC IS FURNISHED ONLY FOR TEST AND MAINTENANCE PURPOSES. THE CIRCUITS ARE PROPRIETARY IN NATURE AND SHOULD BE TREATED ACCORDINGLY. COPYRIGHT 1971 BY DIGITAL EQUIPMENT CORPORATION



UNLESS OTHERWISE INDICATED:  
 RESISTORS ARE 1/4W, 5%  
 E1, E3, E5, E11 = DEC7404  
 E2, E4, E6, E7 = DEC7450  
 E8, E9, E10 = DEC7430  
 E12 = DEC7474  
 E13 = DEC7440  
 E15 = DEC7400  
 E14 = DEC7410  
 PIN 14 = +5V  
 PIN 7 = GND ON EACH IC

REV	DATE	BY	CHK'D
1	5-27-71	S. Comp ER	
2	4/2/71	Ordway	
3	3-13-71	L. Jones	

TRANSISTOR & DIODE CONVERSION CHART			
DEC	EIA	DEC	EIA

**digital** CONTROL LOGIC B

EQUIPMENT CORPORATION

SIZE 1 CODE NUMBER REV  
 C CS M7712-0-1 F

PRINTED CIRCUIT REV

1451110

pull