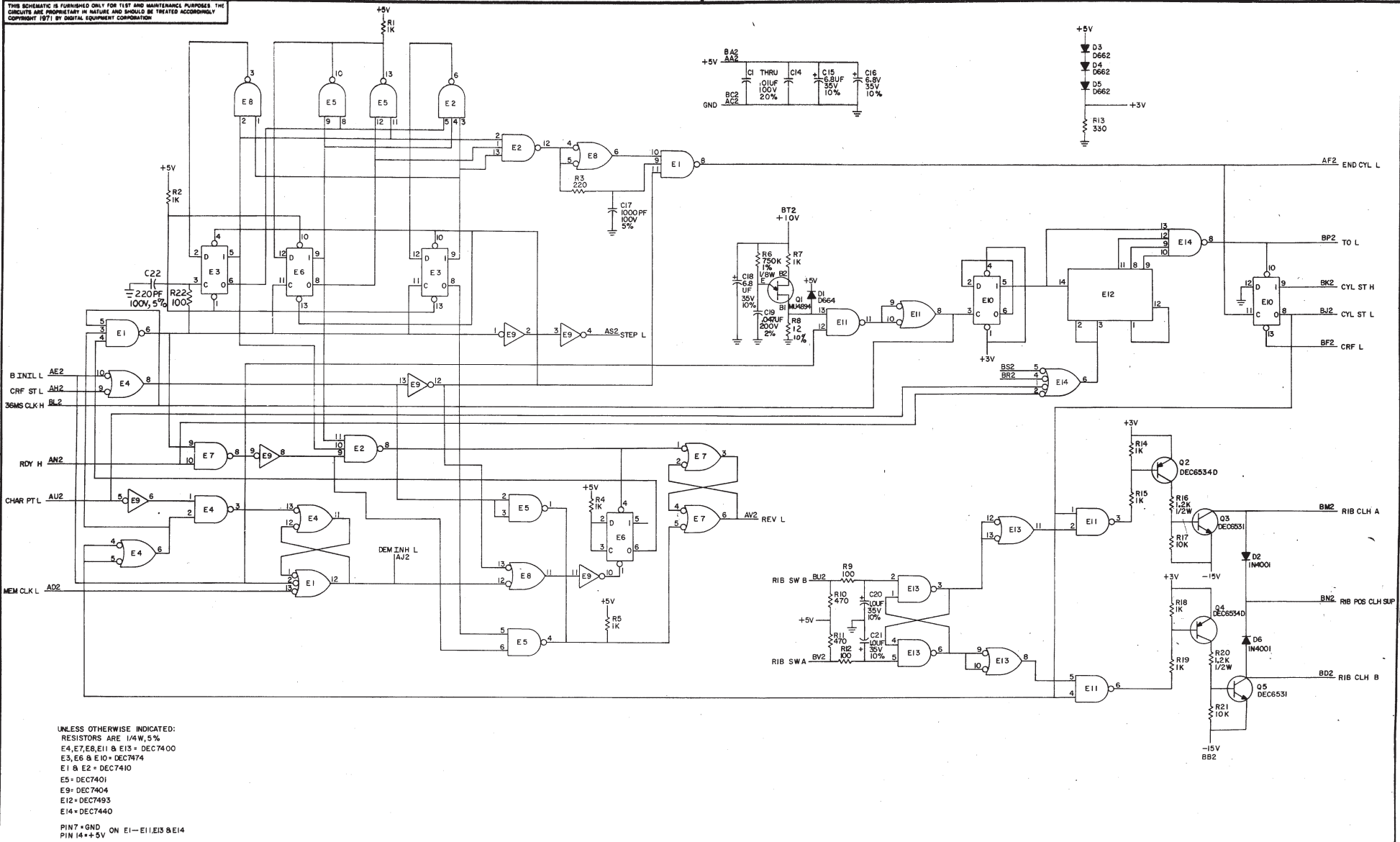


THIS SCHEMATIC IS FURNISHED ONLY FOR TEST AND MAINTENANCE PURPOSES. THE CIRCUITS ARE PROPRIETARY IN NATURE AND SHOULD BE TREATED ACCORDINGLY. COPYRIGHT 1971 BY DIGITAL EQUIPMENT CORPORATION.

1-0-5122W 03 10 1971



UNLESS OTHERWISE INDICATED:
 RESISTORS ARE 1/4W, 5%
 E4, E7, E8, E11 & E13 = DEC7400
 E3, E6 & E10 = DEC7474
 E1 & E2 = DEC7410
 E5 = DEC7401
 E9 = DEC7404
 E12 = DEC7493
 E14 = DEC7440

PIN 7 = GND ON E1-E11, E13 & E14
 PIN 14 = +5V

PIN 10 = GND ON E12
 PIN 5 = +5V ON E12



DESIGNED BY	DATE	DESIGNED BY	DATE
CHW	11-11-71	CHW	11-11-71
CHKD BY	DATE	CHKD BY	DATE
WJ	11-11-71	WJ	11-11-71
APP'D BY	DATE	APP'D BY	DATE
WJ	11-11-71	WJ	11-11-71
REV	DATE	REV	DATE
1		1	

TRANSISTOR & DIODE CONVERSION CHART			
DEC	EA	DEC	EA
D664	IN3606	D665	IN3606
D662	IN485	D663	IN485
IN4001	SAME	DEC6535	MP36534
		DEC6536	MP36534

digital		TITLE	
EQUIPMENT CORPORATION		LCV	
SIZE	CODE	NUMBER	REV
D	CS	M7713-0-1	F
PRINTED CIRCUIT REV.			