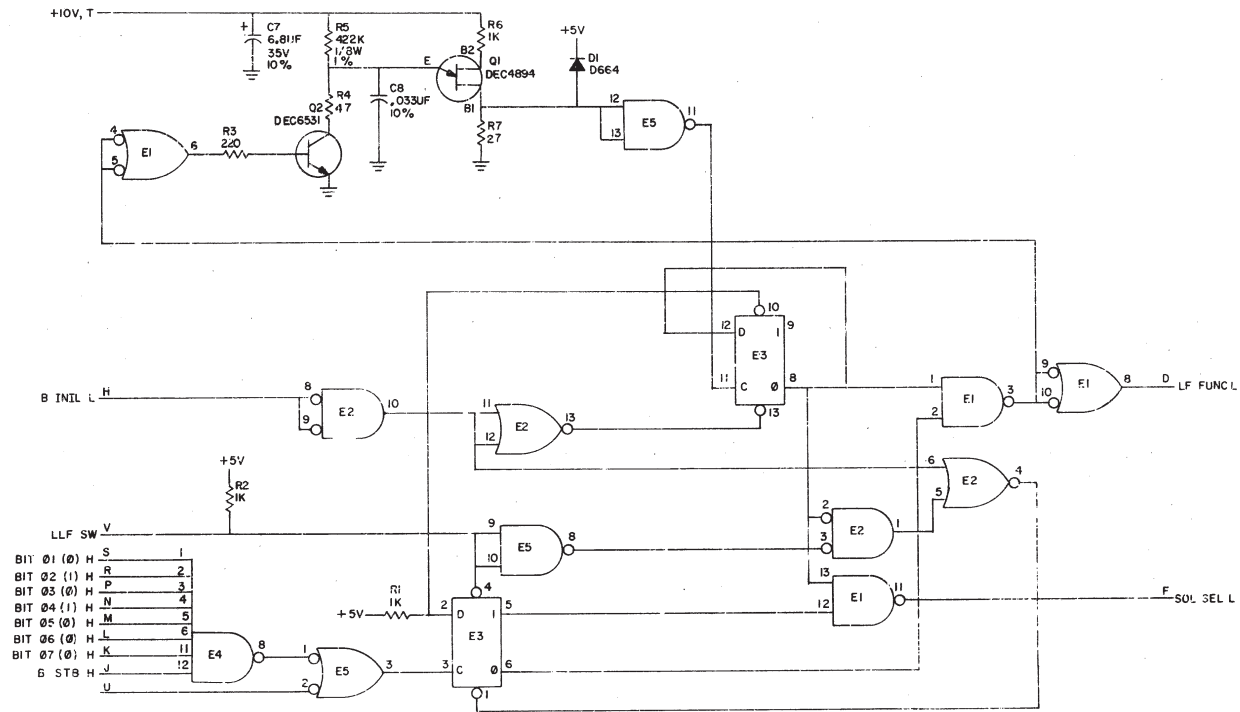
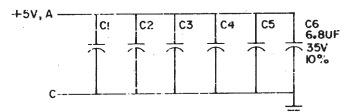


THIS SCHEMATIC IS FURNISHED ONLY FOR TEST AND MAINTENANCE PURPOSES. THE CIRCUITS ARE PROPRIETARY IN NATURE AND SHOULD BE TREATED ACCORDINGLY. COPYRIGHT 1971 BY DIGITAL EQUIPMENT CORPORATION.



UNLESS OTHERWISE INDICATED:
 CAPACITORS = .01UF, 100V, 20%
 RESISTORS = 1/4W, 5%
 DEC7400 = E1, E5
 DEC7402 = E2
 DEC7430 = E4
 DEC7474 = E3
 PIN 7 = GND ON ALL IC'S
 PIN 14 = +5V



REVISIONS	DATE
1	11/11/71
2	11/11/71
3	11/11/71
4	11/11/71
5	11/11/71
6	11/11/71
7	11/11/71
8	11/11/71
9	11/11/71
10	11/11/71
11	11/11/71
12	11/11/71
13	11/11/71
14	11/11/71
15	11/11/71
16	11/11/71
17	11/11/71
18	11/11/71
19	11/11/71
20	11/11/71

DRN	DATE
MANLY HODE	11/10/71
CHKD	DATE
ENG	DATE
PROD	DATE

TRANSISTOR & DIODE CONVERSION CHART			
DEC	EIA	DEC	EIA
DEC6531	MP96531	D664	IN3605
DEC4894	MU4894		

digital	LINE FEED CONTROL		
	SIZE	CODE	NUMBER
EQUIPMENT	C	CS	M7715-0-1
CORPORATION			
PRINTED CIRCUIT REV			REV
			C

SIZE CODE NUMBER REV
 C CS M7715-0-1 C