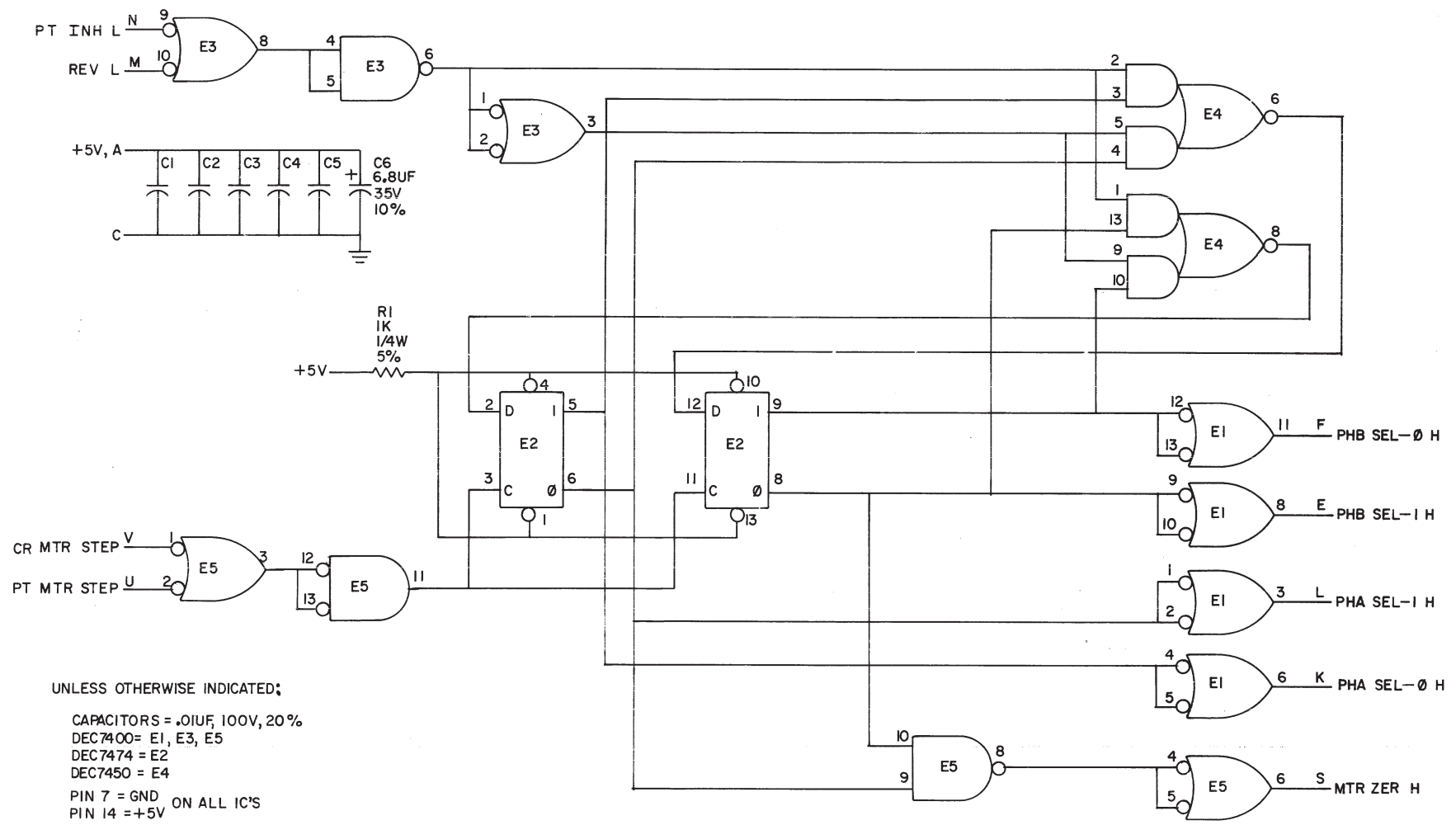


THIS SCHEMATIC IS FURNISHED ONLY FOR TEST AND MAINTENANCE PURPOSES. THE CIRCUITS ARE PROPRIETARY IN NATURE AND SHOULD BE TREATED ACCORDINGLY. COPYRIGHT 1971 BY DIGITAL EQUIPMENT CORPORATION



UNLESS OTHERWISE INDICATED:
 CAPACITORS = .01UF, 100V, 20%
 DEC7400= E1, E3, E5
 DEC7474 = E2
 DEC7450 = E4
 PIN 7 = GND ON ALL IC'S
 PIN 14 = +5V

REVISIONS	CHK	CHG NO	REV

DRN NANCY MOORE	DATE 2/9/71
CHK'D <i>[Signature]</i>	DATE 2/11/71
ENG. <i>[Signature]</i>	DATE 3/11/71
PROD.	DATE

TRANSISTOR & DIODE CONVERSION CHART			
DEC	EIA	DEC	EIA



TITLE HS50 MOTOR TRANSLATOR			
SIZE B	CODE CS	NUMBER M7716-0-1	REV. A
PRINTED CIRCUIT REV.			B

44352
3 PINA