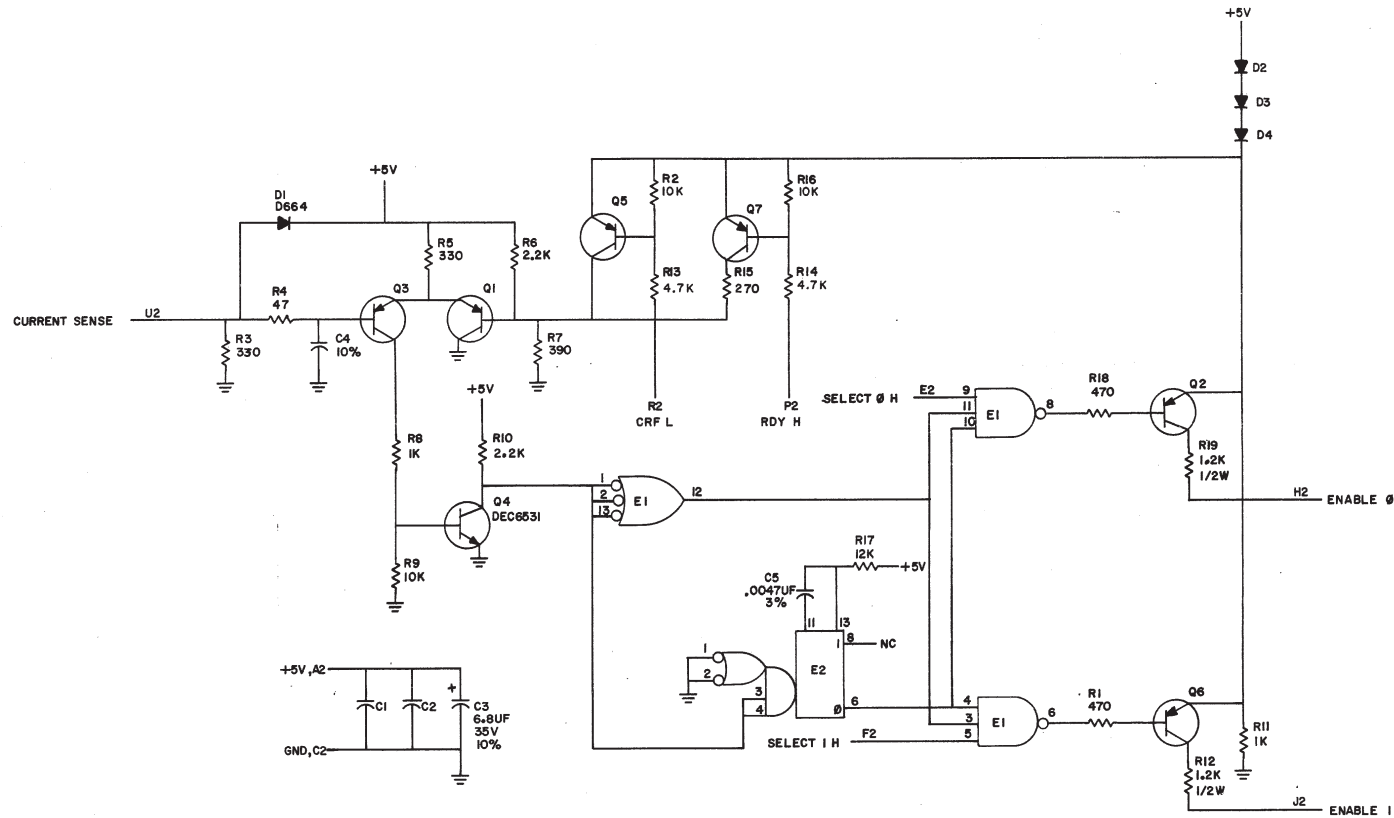


THIS SCHEMATIC IS FURNISHED ONLY FOR TEST AND MAINTENANCE PURPOSES. THE CIRCUITS ARE PROPRIETARY IN NATURE AND SHOULD BE TREATED ACCORDINGLY. COPYRIGHT 1971 BY DIGITAL EQUIPMENT CORPORATION



UNLESS OTHERWISE INDICATED:  
 RESISTORS ARE 1/4W, 5%  
 CAPACITORS ARE .01UF, 100V, 20%  
 DIODES ARE D662  
 TRANSISTORS ARE DEC6534D  
 DEC 7410 = E1  
 DEC9601 = E2  
 PIN 7 = GND ON ALL IC'S  
 PIN 14 = +5V

REV.	CHK	ENG	NO.	REV.
1			00001	D
2			00002	D
3			00003	E

DEC FORM NO. DRC 102

FORM 11/67  
 DATE 2-4-71  
 DATE 1/13/71  
 DATE 3/9/71  
 ENG. [Signature]  
 PROD. [Signature]

TRANSISTOR & DIODE CONVERSION CHART			
DEC	EIA	DEC	EIA
DEC 6534D	MP38534	D884	IN3606
DEC 6531	MP3 6531	D882	IN645

**digital**  
 EQUIPMENT CORPORATION  
 MAYNARD, MASSACHUSETTS

TITLE			
MOTOR CONTROL			
SIZE	CODE	NUMBER	REV.
C	CS	M7717-0-1	E
PRINTED CIRCUIT REV.			
C			

REV. E  
 NUMBER M7717-0-1  
 CS