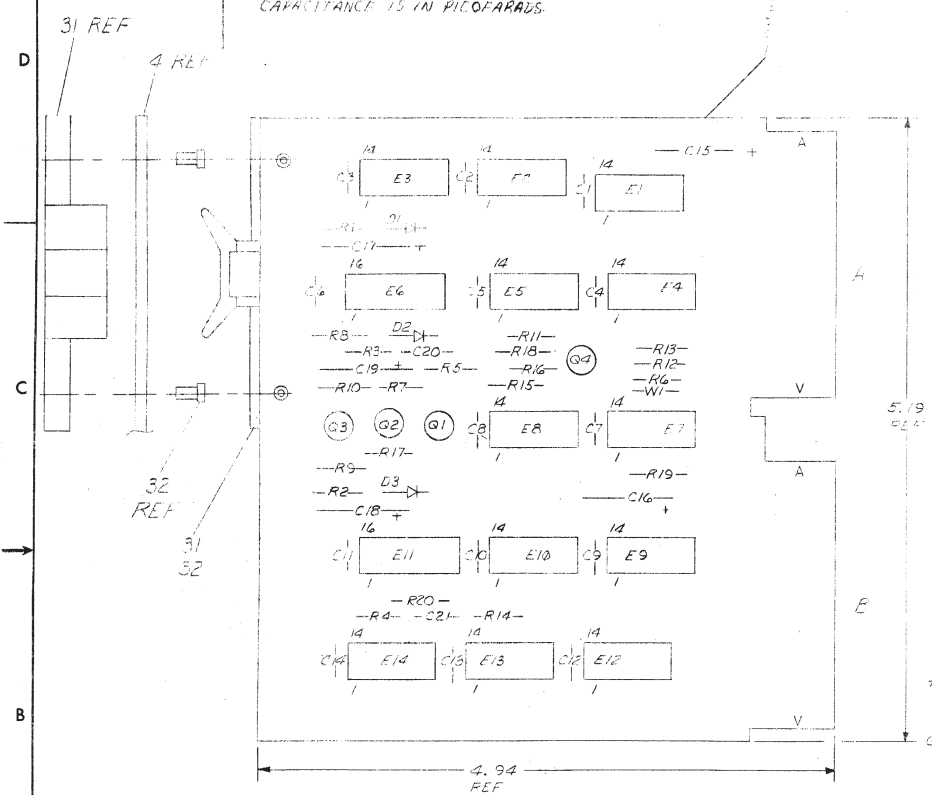


NOTES:
 1. UNLESS OTHERWISE SPECIFIED, RESISTANCE IS IN OHMS.
 CAPACITANCE IS IN PICOFARADS.



AAR
 BAR
 +5V
 AT1, AC2, C15 C1 THRU C14 C16
 BT1, E12 6.8UF .01UF .01UF 6.8UF
 GND

4	EYELET, GS-4-T, STIMPSON	9006732	32
2	HANDLE, FLIPCHIP, MAGENTA	9008337-6	31
2	E6, E11	74123 I.C.	1910436 29
1	E7	7416 I.C.	1909928 28
1	E9	7404 I.C.	1909686 27
2	E2, E3	7493 I.C.	1909054 26
2	E1, E12	7402 I.C.	1909004 25
1	E8	7410 I.C.	1905576 24
3	E5, E10, E13	7400 I.C.	1905575 23
2	E4, E14	7474 I.C.	1905547 22
2	Q3, Q4	DEC 6531 TRANSISTOR	1504338 21
2	Q1, Q2	DEC 6534 D TRANSISTOR	1503409 20
1	R1	47K ± 5% 1/4W RES	1302177 19
2	R5, R6	5.6K ± 5% 1/4W RES	1301874 18
1	R2	22K ± 5% 1/4W RES	1301808 17
1	R3	15K ± 5% 1/4W RES	1300496 16
1	R7	1.5K ± 5% 1/4W RES	1300391 15
7	R8 THRU R14	1K ± 5% 1/4W RES	1300365 14
3	R15, R16, R4	470Ω ± 5% 1/4W RES	1300316 13
1	R17	330Ω ± 5% 1/4W RES	1300295 12
1	R18	220Ω ± 5% 1/4W RES	1300271 11
2	R19, R20	100Ω ± 5% 1/4W RES	1300229 10
3	D1 THRU D3	DEC 0664 DIODE	1100114 9
1	C19	22UF, 6V, ±10% TANT CAP	1005636 8
4	C15 THRU C18	6.8UF, 35V, ±10% TANT CAP	1005306 7
14	C1 THRU C14	.01UF, 100V, ±20% DISC CAP	1001610 6
2	C20, C21	1000PF, 100V, ±5% MICA CAP	1000242 5
1		ETCHED CIRCUIT BOARD	5010118 4
REF	MODULE ECO HISTORY	B-MH-M7721-0-6	3
REF	ASSY/DRILLING HOLE LAYOUT	D-AH-M7721-0-5	2
REF	X-Y COORDINATE HOLE LOCATION	KCO-M7721-0-4	1

74123	2	E
74123	5	16
IC TYPE	GNE	+5V

GND AND 5V ARE USUALLY PIN 7 AND 14 RESPECTIVELY. EXCEPTIONS ARE STATED ABOVE.

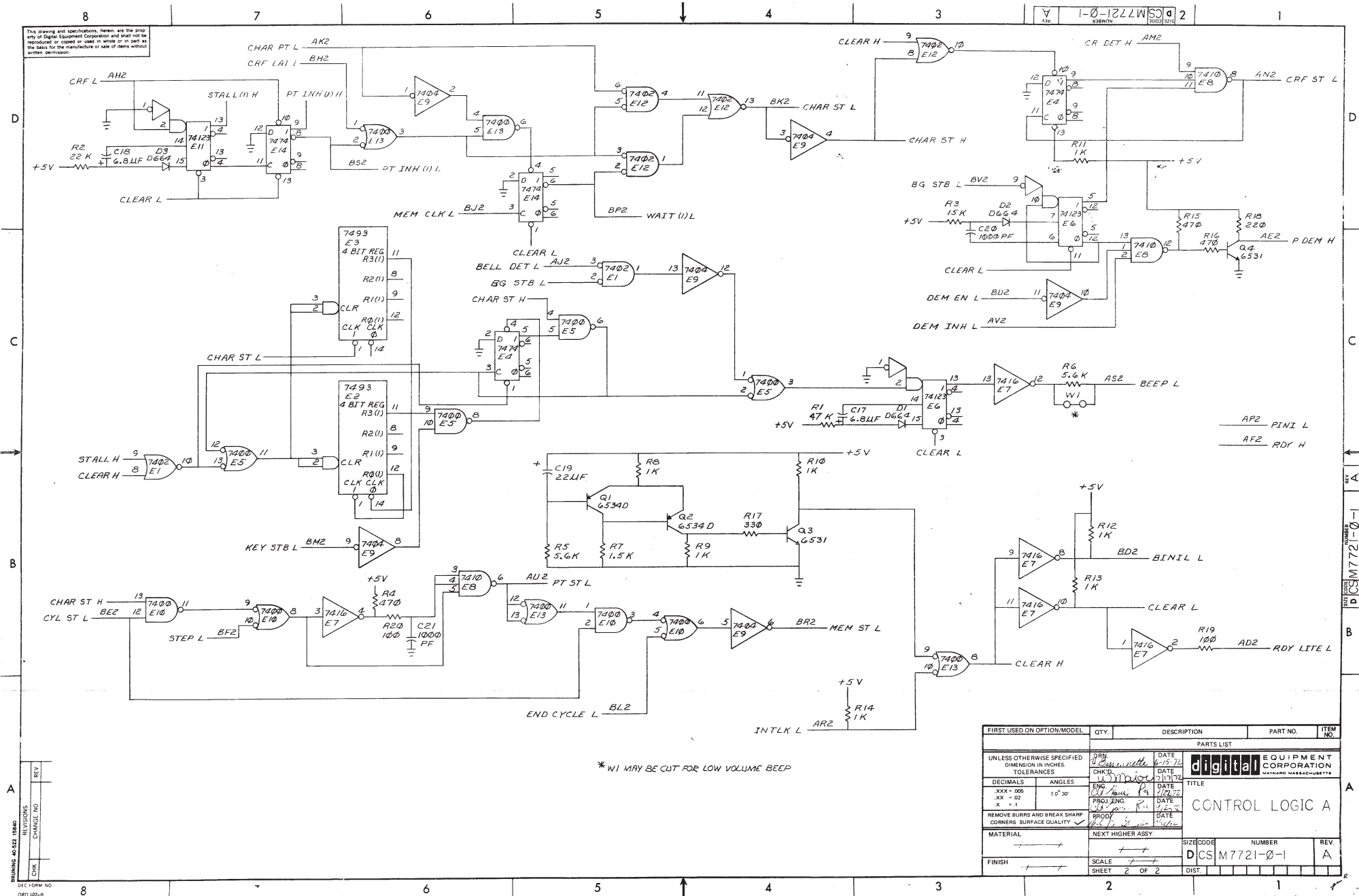
IC PIN LOCATIONS

44-222-1000
 44-222-1000
 44-222-1000

FIRST USED ON OPTION MODEL		PARTS LIST	
LA30		ETCH BOARD REV B	
DRM	DATE	DRM	DATE
CHK'D	DATE	CHK'D	DATE
ENG	DATE	ENG	DATE
PROJ. ENG.	DATE	PROJ. ENG.	DATE
PROD.	DATE	PROD.	DATE
NEXT HIGHER ASSY		SCALE	
DEC NO.	EIA NO.	DEC NO.	EIA NO.
SEMICONDUCTOR CONVERSION CHART		SCALE	
SIZE CODE	NUMBER	REV.	
B	M7721-0-1	A	

1-0-172
 WSC
 2

This drawing and specifications, herein, are the property of Digital Equipment Corporation and shall not be reproduced or used in whole or in part as the basis for the manufacture or sale of items without written permission.



* W1 MAY BE CUT FOR LOW VOLUME BEEP

REV.	
CHANGE NO.	
CHK.	
REV.	

FIRST USED ON OPTION/MODEL	QTY.	DESCRIPTION	PART NO.	ITEM NO.
PARTS LIST				
UNLESS OTHERWISE SPECIFIED DIMENSION IN INCHES	DRN CHK'D	DATE 6/15/72	digital EQUIPMENT CORPORATION MAYFORD MASSACHUSETTS	
TOLERANCES	DATE 7/13/72	DATE 7/13/72		
DECIMALS .xxx + .005 .xx + .02 x = .1	ENG. DATE 7/12/72	DATE 7/12/72	CONTROL LOGIC A	
REMOVE BURRS AND BREAK SHARP CORNERS SURFACE QUALITY	PROJ. ENG. DATE 7/12/72	DATE 7/12/72		
MATERIAL	NEXT HIGHER ASSY.		SIZE CODE	NUMBER
FINISH	SCALE	SHEET 2 OF 2	D	CS M7721-0-1
			DIST.	

REV. A
M7721-0-1