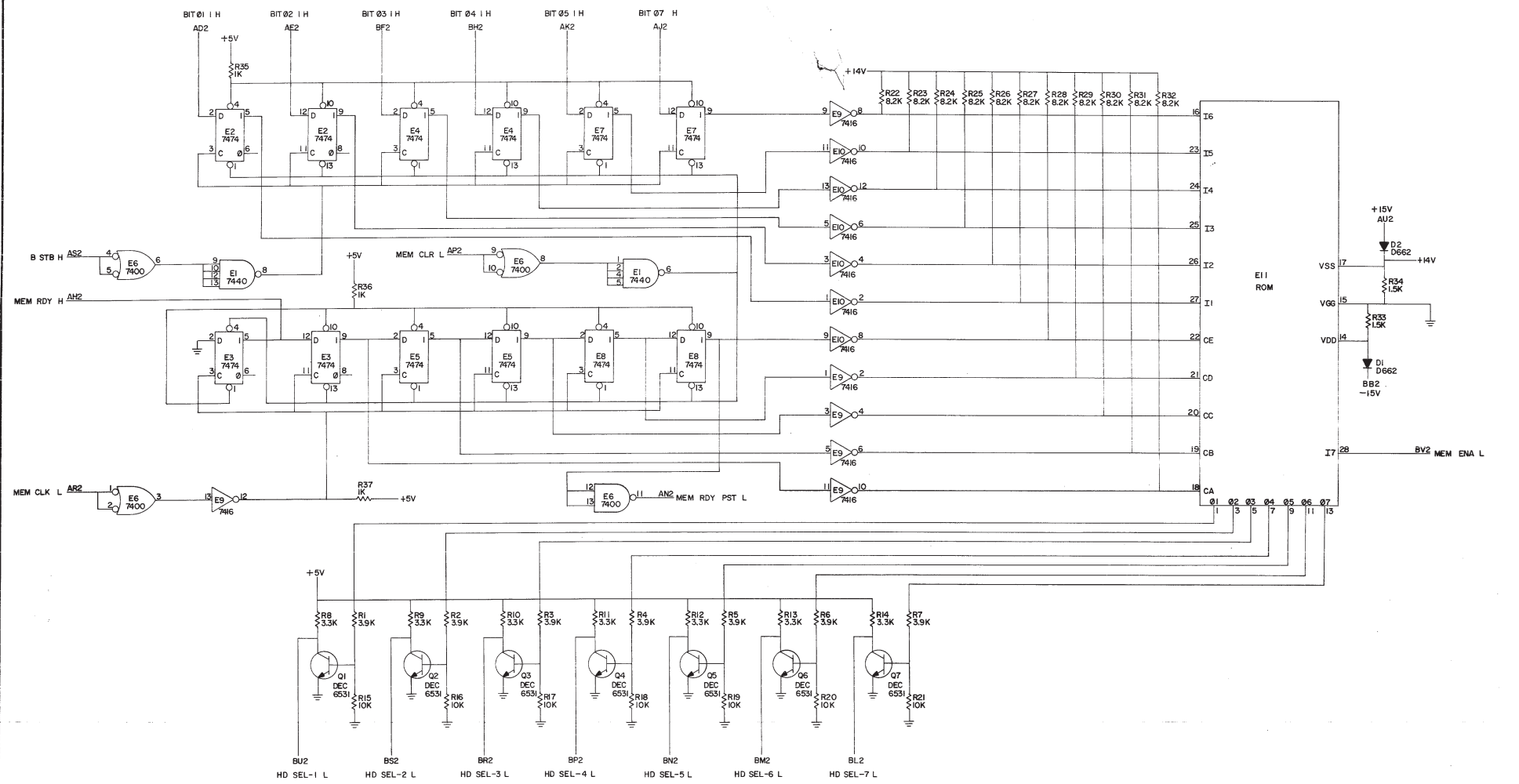




THIS SCHEMATIC IS FURNISHED ONLY FOR TEST AND MAINTENANCE PURPOSES. THE CIRCUITS ARE PROPRIETARY IN NATURE AND SHOULD BE TREATED ACCORDINGLY. COPYRIGHT 1971 BY DIGITAL EQUIPMENT CORPORATION



REVISIONS REVISION NO. DATE	DATE 12-1-71	TRANSISTOR & DIODE CONVERSION CHART				TITLE CHARACTER GENERATOR ROM
		DEC	EA	DEC	EA	
EQUIPMENT CORPORATION MAYNARD, MASSACHUSETTS		SIZE D	CODE CS	NUMBER MY724-0-1	REV. A	PRINTED CIRCUIT REV. B

PART NO. MY724-0-1  
 REV. A