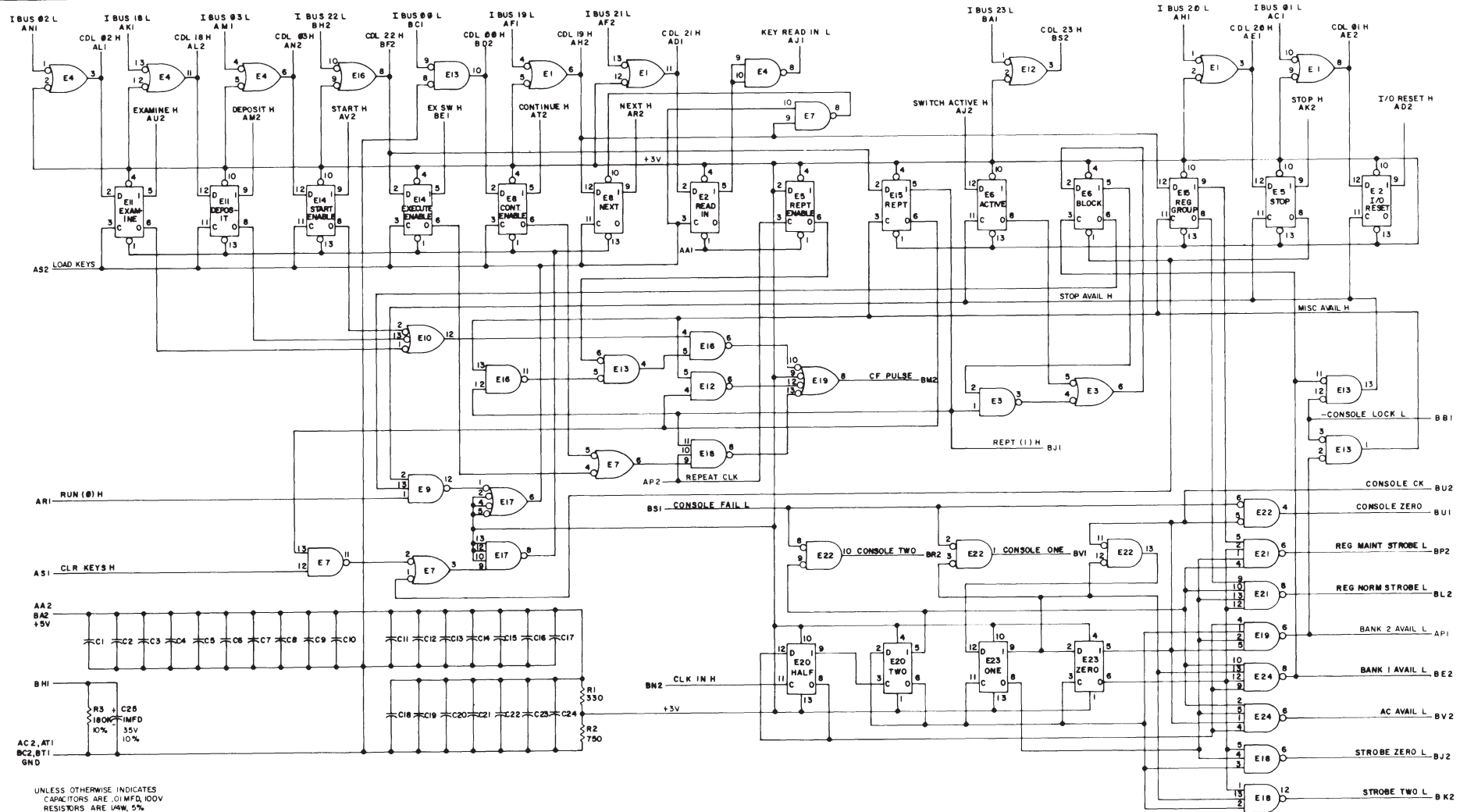


THIS DOCUMENT IS RESTRICTED ONLY FOR TEST AND TRAINING PURPOSES. THE CONTENTS ARE CONFIDENTIAL IN NATURE AND SHOULD BE TREATED AS SUCH. IT IS NOT TO BE DISTRIBUTED OUTSIDE THE ORGANIZATION OR TO ANY OTHER ORGANIZATION WITHOUT THE EXPRESS WRITTEN PERMISSION OF THE ORGANIZATION.



UNLESS OTHERWISE INDICATES  
 CAPACITORS ARE .01MFD, 100V  
 RESISTORS ARE 1/4W, 5%  
 PIN 7 ON EACH IC = GND  
 PIN 14 ON EACH IC = +5V  
 E1, E3, E4, E7, E12, E16 ARE DEC7400N  
 E2, E5, E6, E8, E11, E14, E15, E20, E23 ARE DEC7474N  
 E9, E10, E8 ARE DEC7410N  
 E13, E22 ARE DEC7402N  
 E17, E19, E21, E24 ARE DEC7440N

TRANSISTOR & DIODE CONVERSION -MART		PARTS		REVISED		DATE		BY	
QTY	DESCRIPTION	QTY	DESCRIPTION	QTY	DESCRIPTION	QTY	DESCRIPTION	QTY	DESCRIPTION
1	...	1	...	1	...	1	...	1	...

EQUIPMENT CORPORATION				CONSOLE CONTROL #2 M773			
M773-0-1				REVISED			
PRINTED CIRCUIT REV				DATE			

M773-2