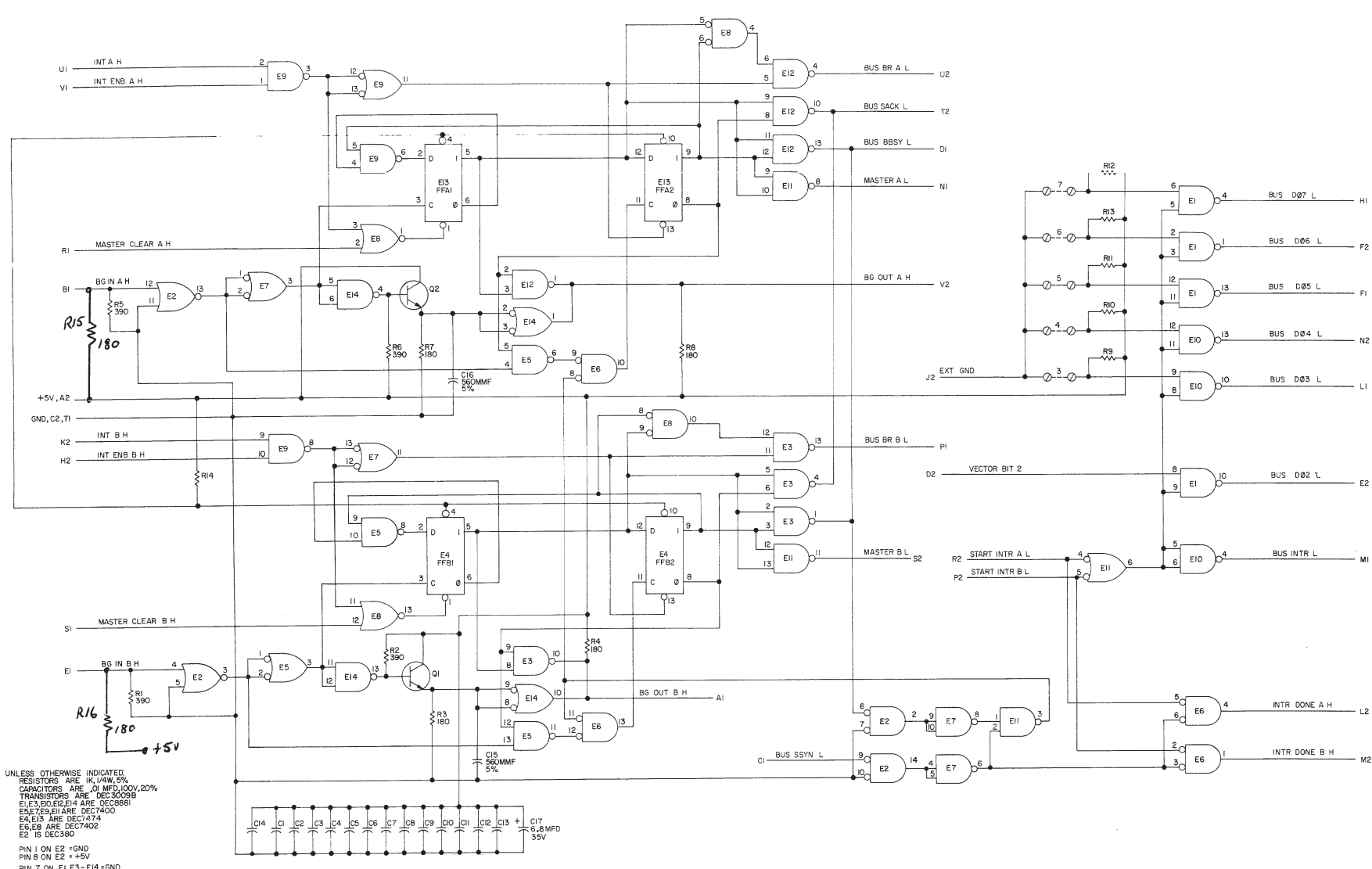


THIS SCHEMATIC IS FURNISHED ONLY FOR TEST AND MAINTENANCE PURPOSES. THE CIRCUITS ARE PROPRIETARY IN NATURE AND SHOULD BE TREATED ACCORDINGLY. COPYRIGHT 1970 BY DIGITAL EQUIPMENT CORPORATION.



UNLESS OTHERWISE INDICATED:  
 RESISTORS ARE IN OHMS, 5%  
 CAPACITORS ARE 0.1 MFD, 100V, 20%  
 TRANSISTORS ARE DEC 3009B  
 E1, E3, E5, E12, E14 ARE DEC 898B  
 E5, E7, E9, E11 ARE DEC 7400  
 E4, E13 ARE DEC 7474  
 E6, E8 ARE DEC 7402  
 E2 IS DEC 380  
 PIN 1 ON E2 = GND  
 PIN 8 ON E2 = +5V  
 PIN 7 ON E1, E3 - E14 = GND  
 PIN 14 ON E1, E3 - E14 = +5V  
 ⊗ = SPLIT LUGS  
 - - - - = JUMPERS

REV	DATE	BY	CHKD
1	10/70	ALLAN RITCEY	
2	11/70		
3	12/70		
4	1/71		

DATE	DATE	TRANSISTOR & DIODE CONVERSION CHART			
ALLAN RITCEY	11-30-70	DIC	EIA	DIC	EIA
DATE	DATE	DEC 3009B	2N3009B		
ENG	DATE				
PRD	DATE				

TITLE		NUMBER		REV	
digital INTERRUPT CONTROL M782		M782-0-1		REV D	
EQUIPMENT CORPORATION		M782-0-1		REV D	
MAYNARD, MASSACHUSETTS		PRINTED CIRCUIT REV		0/E	