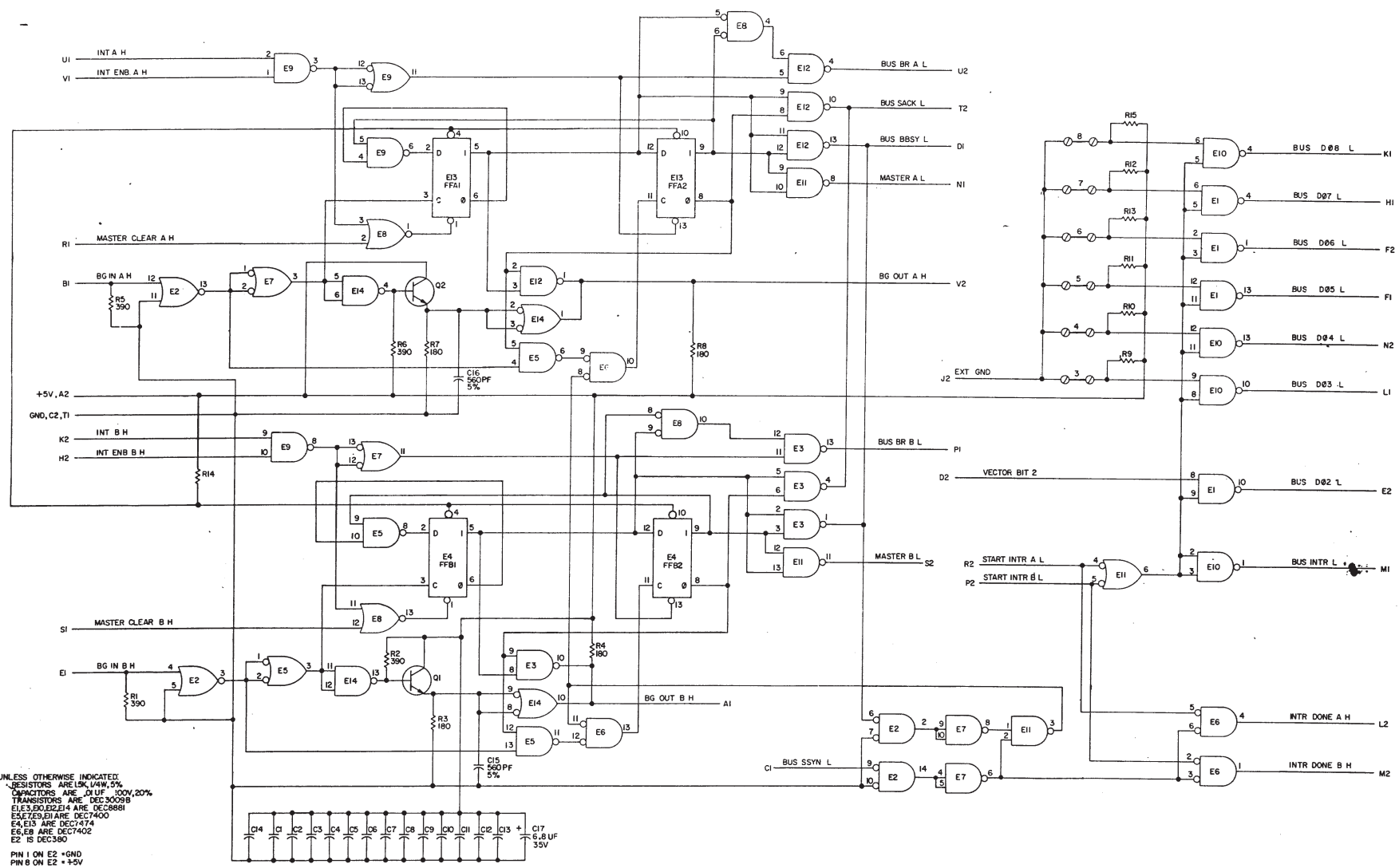


THIS SCHEMATIC IS FURNISHED ONLY FOR TEST AND MAINTENANCE PURPOSES. THE CIRCUITS ARE PROPRIETARY IN NATURE AND SHOULD BE TREATED ACCORDINGLY. COPYRIGHT 1970 BY DIGITAL EQUIPMENT CORPORATION.

B 1-0-0282W CS Q



UNLESS OTHERWISE INDICATED:
 RESISTORS ARE 1% UNLESS OTHERWISE INDICATED
 CAPACITORS ARE .01 UF 100V, 20%
 TRANSISTORS ARE DEC 3906B
 E1E3, E5, E7, E9, E11, E13 ARE DEC 2868B
 E4E6, E8, E10, E12, E14 ARE DEC 7400
 E4, E13 ARE DEC 1474
 E6, E8 ARE DEC 7402
 E2 IS DEC 380
 PIN 1 ON E2 = GND
 PIN 8 ON E2 = +5V
 PIN 7 ON E1, E3 = E14 = GND
 PIN 14 ON E1, E3 = E14 = +5V
 ⊗ = SPLIT LUGS
 — = JUMPERS

REV	DATE	BY	CHKD
1			
2			
3			

TRANSISTOR & DIODE CONVERSION CHART	
MANUFACTURER	DIGITAL EQUIPMENT CORPORATION
2N3906B	2N3906B
2N3904	2N3904
1N4148	1N4148
1N914	1N914
1N4001	1N4001
1N4002	1N4002
1N4003	1N4003
1N4004	1N4004
1N4005	1N4005
1N4006	1N4006
1N4007	1N4007
1N4008	1N4008
1N4009	1N4009
1N4010	1N4010
1N4011	1N4011
1N4012	1N4012
1N4013	1N4013
1N4014	1N4014
1N4015	1N4015
1N4016	1N4016
1N4017	1N4017
1N4018	1N4018
1N4019	1N4019
1N4020	1N4020
1N4021	1N4021
1N4022	1N4022
1N4023	1N4023
1N4024	1N4024
1N4025	1N4025
1N4026	1N4026
1N4027	1N4027
1N4028	1N4028
1N4029	1N4029
1N4030	1N4030
1N4031	1N4031
1N4032	1N4032
1N4033	1N4033
1N4034	1N4034
1N4035	1N4035
1N4036	1N4036
1N4037	1N4037
1N4038	1N4038
1N4039	1N4039
1N4040	1N4040
1N4041	1N4041
1N4042	1N4042
1N4043	1N4043
1N4044	1N4044
1N4045	1N4045
1N4046	1N4046
1N4047	1N4047
1N4048	1N4048
1N4049	1N4049
1N4050	1N4050
1N4051	1N4051
1N4052	1N4052
1N4053	1N4053
1N4054	1N4054
1N4055	1N4055
1N4056	1N4056
1N4057	1N4057
1N4058	1N4058
1N4059	1N4059
1N4060	1N4060
1N4061	1N4061
1N4062	1N4062
1N4063	1N4063
1N4064	1N4064
1N4065	1N4065
1N4066	1N4066
1N4067	1N4067
1N4068	1N4068
1N4069	1N4069
1N4070	1N4070
1N4071	1N4071
1N4072	1N4072
1N4073	1N4073
1N4074	1N4074
1N4075	1N4075
1N4076	1N4076
1N4077	1N4077
1N4078	1N4078
1N4079	1N4079
1N4080	1N4080
1N4081	1N4081
1N4082	1N4082
1N4083	1N4083
1N4084	1N4084
1N4085	1N4085
1N4086	1N4086
1N4087	1N4087
1N4088	1N4088
1N4089	1N4089
1N4090	1N4090
1N4091	1N4091
1N4092	1N4092
1N4093	1N4093
1N4094	1N4094
1N4095	1N4095
1N4096	1N4096
1N4097	1N4097
1N4098	1N4098
1N4099	1N4099
1N4100	1N4100

digital INTERRUPT CONTROL M7820

EQUIPMENT CORPORATION

DATE CODE NUMBER REV
 D CS M7820-0-1 B

PRINTED CIRCUIT REV. B/C

REV. 1-0-0282W-1