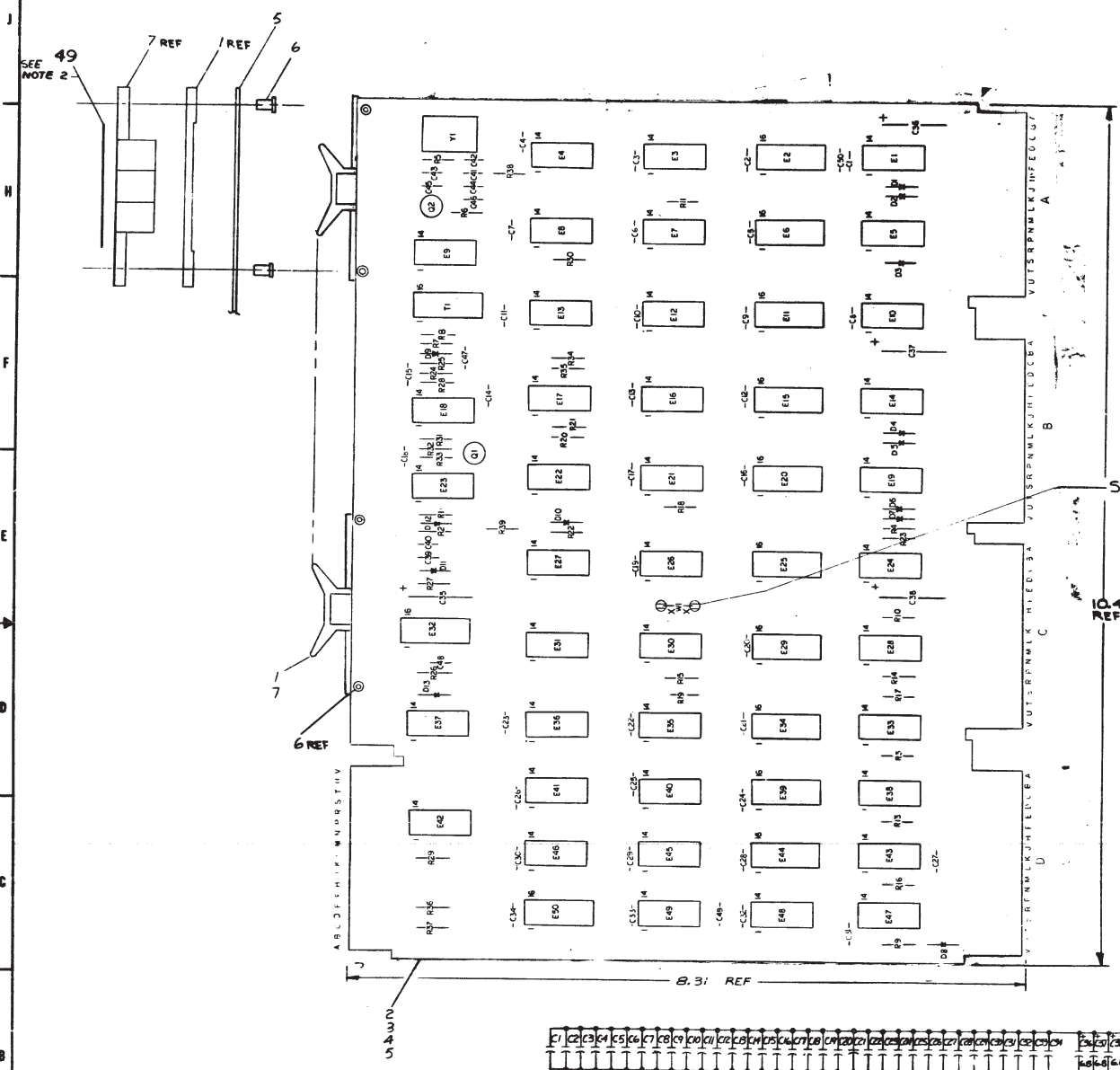


NOTES:  
 1. WI (JUMPER) TO BE INSERTED BY CUSTOMER ONLY.  
 2. THE STICKER READS AS FOLLOWS:  
 \*M8330 ETCH D MAY BE REPLACED WITH ETCH C IF MACHINE USES ONLY CORE MEMORY SEMICONDUCTOR MEMORIES M8B-F REQUIRE ETCH D OR LATER.



SEE NOTE 1

QTY	REF	DESCRIPTION	QUANTITY	REF NO.
4	E9, E21, E30, E40	I.C. DEC 74S74	1810544	51
1	E10	I.C. DEC 74104	1909931	50
1		M8330 REV. STICKER	3611623	49
2	A36, R39	RES 1K 1/4W 5%	1800367	48
1	R6	RES 220 1/4W 5%	1800271	46
1	E27	I.C. DEC 5284	1802994	45
1	E13	I.C. DEC 5280	1802992	44
1	E4	I.C. DEC 534	1802997	43
1	E50	I.C. DEC 8251B	1802994	42
1	E17	I.C. DEC 8881	1802925	41
1	E8	I.C. DEC 74111	1802923	40
2	E36, 41	I.C. DEC 97401	1802975	39
10	E26, 115, 20, 25, 34, 39, 44	I.C. DEC 74194	1802972	38
1	E32	I.C. DEC 74123	1802976	37
1	E15, E31, 45, 49	I.C. DEC 74114	1802977	36
2	E13, 14, 15, 24, 25, 33, 34, 39, 44	I.C. DEC 74140	1802986	35
2	E2, E46	I.C. DEC 7430	1802978	34
1	E46	I.C. DEC 7420	1802977	33
2	E37, E55	I.C. DEC 7417	1802974	32
1	E48	I.C. DEC 7410	1802976	31
1	E42	I.C. DEC 7404	1802976	30
1	E22	I.C. DEC 7402	1802976	29
2	E23, E47	I.C. DEC 7400	1802976	28
1	Y1	CRYSTAL 20 MC	1802980	27
1	T1	TRANSFORMER	1802951	26
2	Q1, Q2	TRANSISTOR DEC 3009B	1503100	25
1	R27	RES 47K 1/4W 5%	1802111	24
2	R5, R26	RES 10K 1/4W 5%	1800479	23
1	R1	RES 3.3K 1/4W 5%	1800291	22
16	R2, R14, R16, R37	RES 470 1/4W 10%	1800317	21
13	R3, R11, R12, R13, R17, R18, R19, R20, R21, R22, R23, R24, R25, R28, R29, R30, R31, R32, R33, R34, R35, R36, R38, R39, R40, R41, R42, R43, R44, R45, R46, R47, R48, R49, R50, R51, R52, R53, R54, R55, R56, R57, R58, R59, R60, R61, R62, R63, R64, R65, R66, R67, R68, R69, R70, R71, R72, R73, R74, R75, R76, R77, R78, R79, R80, R81, R82, R83, R84, R85, R86, R87, R88, R89, R90, R91, R92, R93, R94, R95, R96, R97, R98, R99, R100	RES 150 1/4W 10%	1800252	20
2	R31, R33	RES 37 1/4W 10%	1800251	19
1	D1-D8, D10-D13	DIODE D664	1100114	18
1	D9	DIODE D662	1100113	17
1	C38	CAP 33uF, 10V, 10% S. TANT	1000050	16
3	C36-C38	CAP 6.8uF, 35V, 10% S. TANT	1000308	15
1	C42	CAP 10uF, 100V, 5% D.M.	1000000	14
4	C39-C41, C46	CAP 10uF, 16V, 20% D.M.	1000478	13
1	C45	CAP 33uF, 100V, 5% D.M.	1000050	12
37	C1-C8, C9, C27, C49, C50	CAP 0.1uF, 100V, 20% D.M.	1000610	11
1	C48	CAP 1000 PF, 100V, 5% MICA	1000042	10
1	C45	CAP 100 PF, 100V, 5% D.M.	1000016	9
1	C44	CAP 68 PF, 100V, 5% D.M.	1000014	8
3		HANDLE FLIP-CHIP MAGENTA	1800837-06	7
6		EYELET 054-11 STIMPSON	1800678-0	6
1		ETCHED CIRCUIT BOARD	1800207	5
1		MODULE E.C.D. HISTORY	1800837-06	4
1		ASSY/DRAWING HOLE LAYOUT	1800837-06	3
1		XY COORDINATE HOLE LOCATION	1800837-06	2
1		SPACER ONE L CLAMP	1800207	1



GND = AG2, AF1, AN1, AN2, AT1, BC1, BC2,  
 BF1, BN2, BT1, BT2, CC1, CC2, CF1,  
 CF2, CH1, CT1, DC1, DN1, DT1, DT2.

IC PIN LOCATIONS	JUMPER LIST
DEC 74194	8 16
DEC 8251	8 16
DEC 534	1 8
DEC 530	1 8
DEC 534	1 8
I.C. 74194	8 16

SEE NOTE 1

ETCH BOARD REV E

DEC 2009B 2N3646

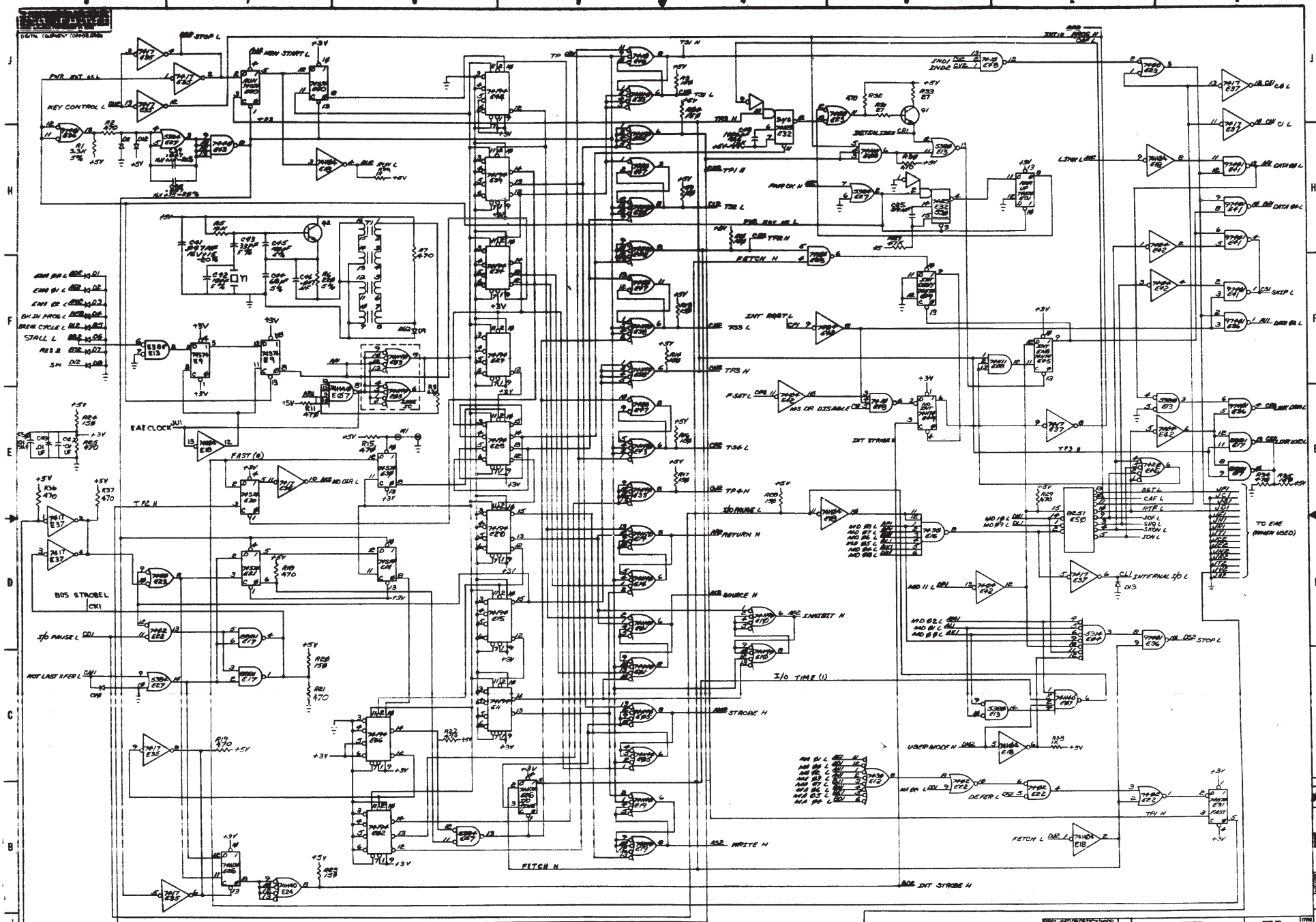
D662 IN 360L

D662 IN 685

ECS M8330-0-1

TIMING GENERATOR

EQUIPMENT CORPORATION



PARTS LIST		DESCRIPTION		PART NO.		REV.	
MRB-F		EQUIPMENT CORPORATION		TIMING GENERATOR		ES MB332-0	
REV. 1		REV. 1		REV. 1		REV. 1	
REV. 2		REV. 2		REV. 2		REV. 2	

DATE: 10/1/68  
BY: [Signature]  
CHECKED BY: [Signature]

ES MB332-0