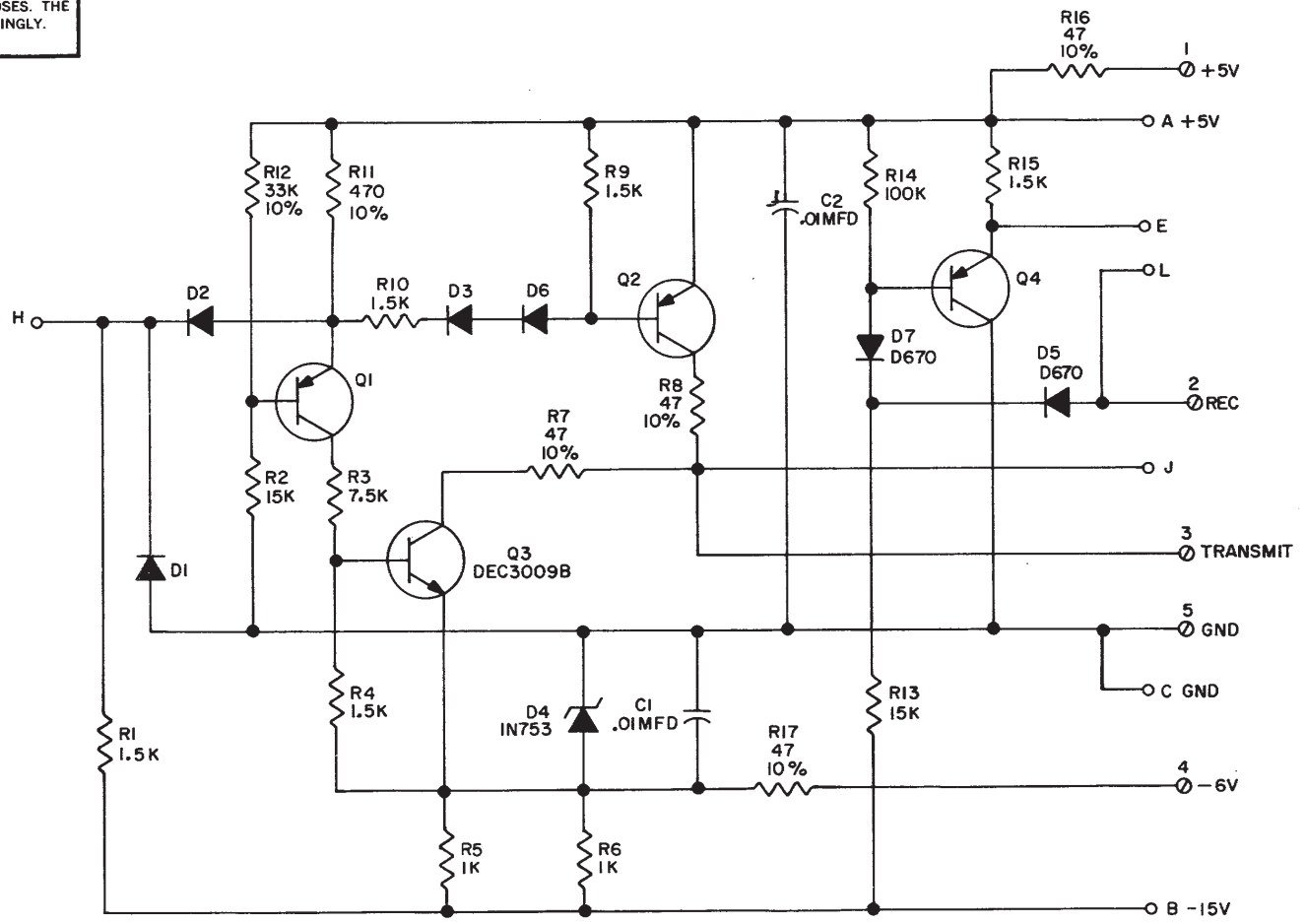


THIS SCHEMATIC IS FURNISHED ONLY FOR TEST AND MAINTENANCE PURPOSES. THE CIRCUITS ARE PROPRIETARY IN NATURE AND SHOULD BE TREATED ACCORDINGLY. COPYRIGHT 1969 BY DIGITAL EQUIPMENT CORPORATION



UNLESS OTHERWISE INDICATED:  
 ⓪ ARE SPLIT LUGS  
 RESISTORS ARE 1/4W,5%  
 DIODES ARE D664  
 TRANSISTORS ARE DEC6534B

REVISIONS	CHK	CHG	NO.	REV.
			0000	1 A

DRN.	DATE
BRITLER	6/2/69
CHK'D	DATE
Mr. M. ...	6/3/69
ENG.	DATE
...	6/3/69
PROD.	DATE
...	6/10/69

TRANSISTOR & DIODE CONVERSION CHART			
DEC		EIA	
DEC6534B		MPS6534	
DEC3009B		2N3009	
D664		IN3606	
D670		IN3653	

**digital**  
 EQUIPMENT CORPORATION  
 MAYNARD, MASSACHUSETTS

TITLE			
CONVERTER AND CABLE CONNECTOR M850			
SIZE	CODE	NUMBER	REV.
B	CS	M850-0-1	A
PRINTED CIRCUIT REV.			A