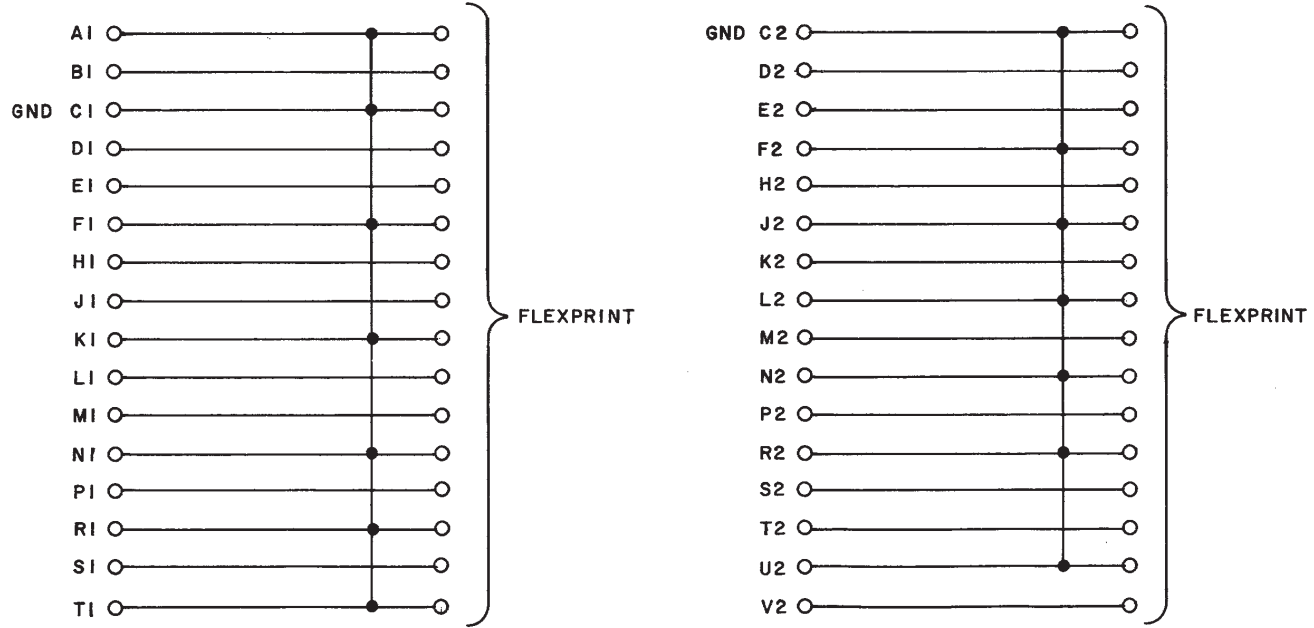


REV.	NUMBER	CS	B
	M903-0-1		

THIS SCHEMATIC IS FURNISHED ONLY FOR TEST AND MAINTENANCE PURPOSES. THE CIRCUITS ARE PROPRIETARY IN NATURE AND SHOULD BE TREATED ACCORDINGLY. COPYRIGHT 1968 BY DIGITAL EQUIPMENT CORPORATION



PARTS LIST IS A-PL-M903-0-0

REVISIONS CHK CHG NO. REV.	DRN. <i>M. Waller</i> DATE 7-2-68	TRANSISTOR & DIODE CONVERSION CHART				digital EQUIPMENT CORPORATION MAYNARD, MASSACHUSETTS	TITLE CONNECTOR (FLEXPRINT) M903			
	CHK'D <i>M. Waller</i> DATE 7-3-68	DEC	EIA	DEC	EIA		SIZE B	CODE CS	NUMBER M903-0-1	REV.
	ENG <i>M. Waller</i> DATE 7/12/68						PRINTED CIRCUIT REV. A			
	PROD. DATE						DIST. 324 434 435 PINK			