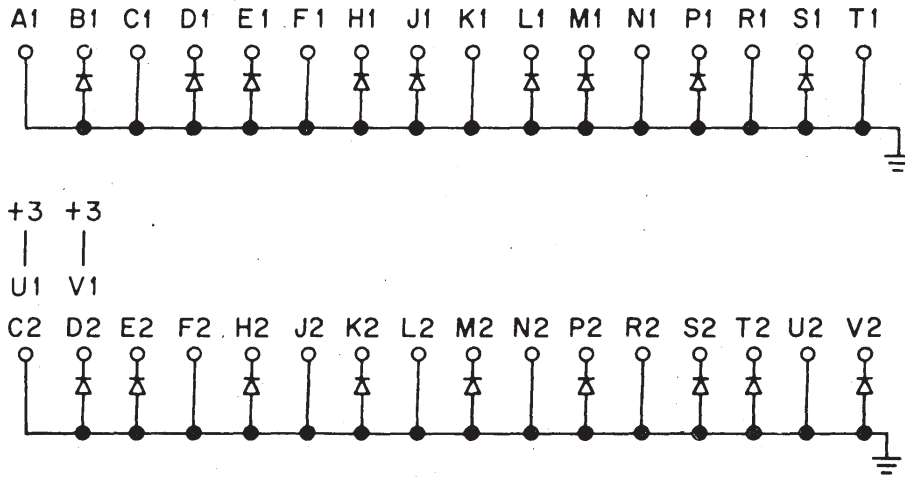


DIODE CLAMP CONNECTOR

M907

M SERIES



The M907 is used to provide proper undershoot ground clamps for PDP8/I positive bus signals not using M103 or M101 inputs.

The M907 also provides +3V for clamping 25 unused inputs. Diode clamps appear on signal leads used in double-sided alternate ground I/O cables.

Diode clamp: B1, D1, E1, H1, J1, L1, M1, P1, S1,
D2, E2, H2, K2, M2, P2, S2, T2, V2

Ground: A1, C1, F1, K1, N1, R1, T1,
C2, F2, J2, L2, N2, R2, U2

Power: +5v at 10.2 ma. (max.)

M907 — \$16