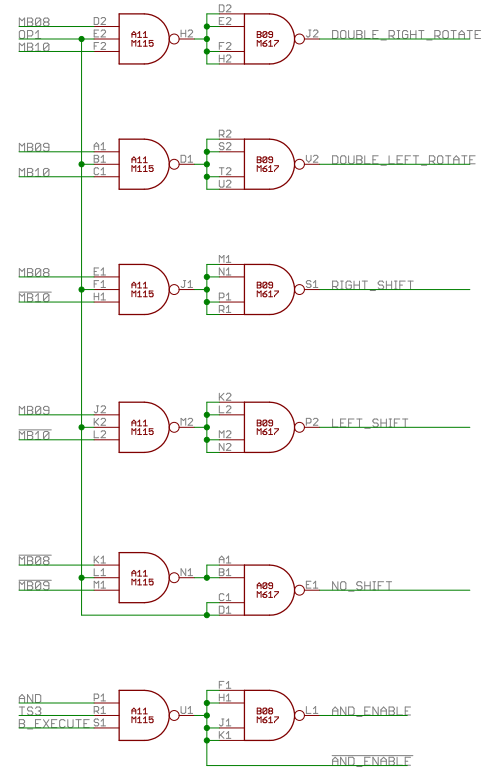
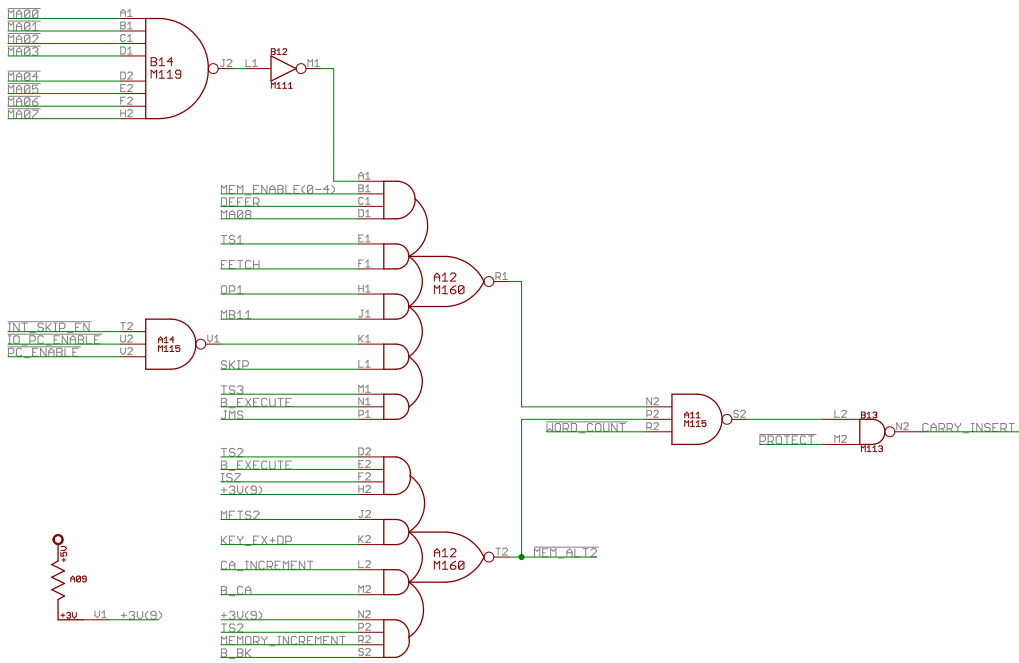


Reg. Output Gate Control		
TITLE: pdp8l		
Document Number: D-BS-8L-0-4	REV:	
Date: 2/10/2022 4:02:33 PM	Sheet: 3/23	



Shift and Carry Gate Control

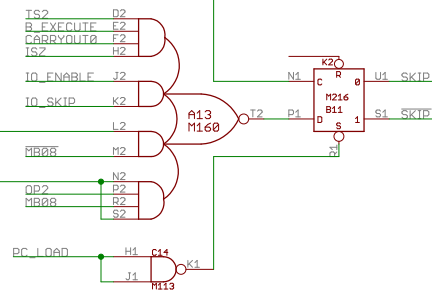
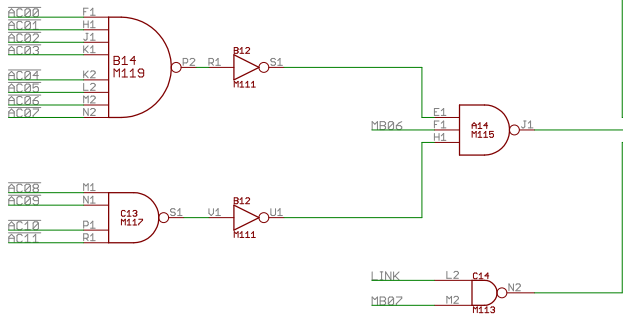
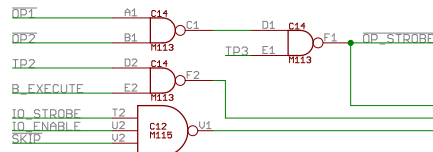
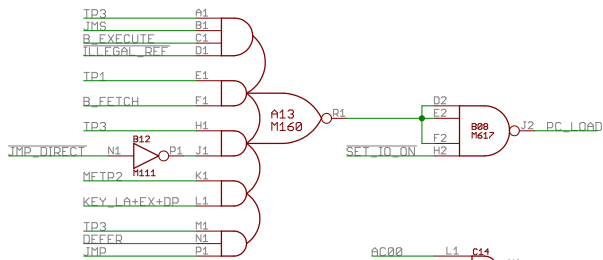
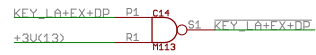
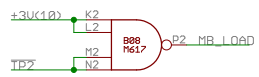
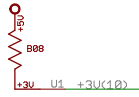
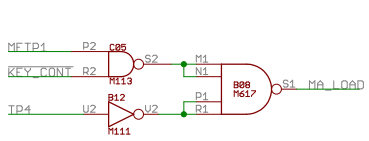
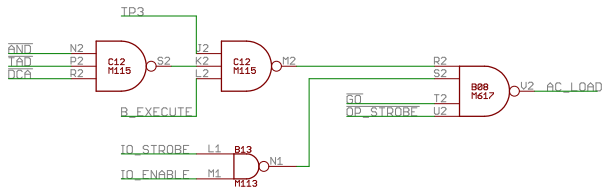
TITLE: pdp81

Document Number: D-BS-8L-0-5

REV:

Date: 2/10/2022 4:02:33 PM

Sheet: 4/23



UCC  
GND

Reg. Input Control and Skip

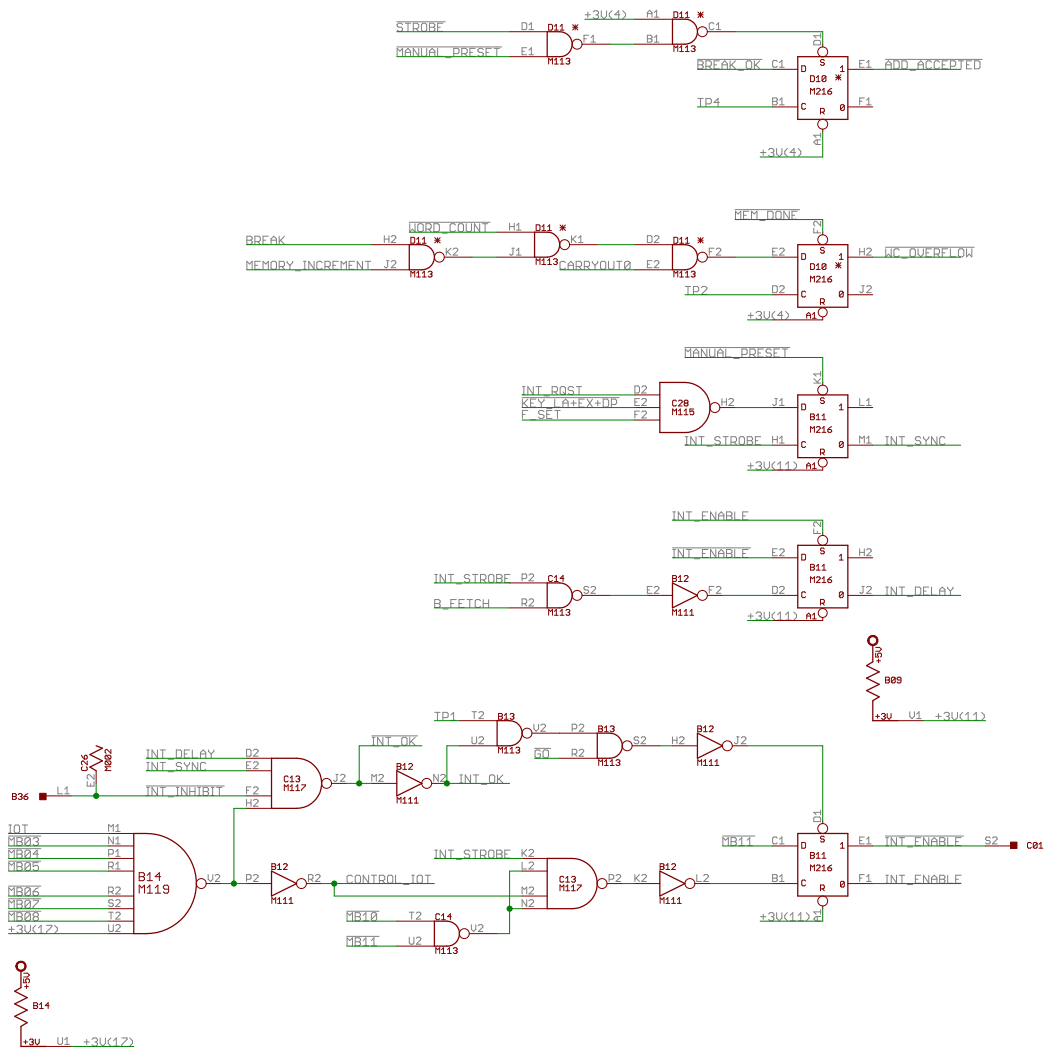
TITLE: pdp81

Document Number: D-BS-8L-0-6

REV:

Date: 2/10/2022 4:02:33 PM

Sheet: 5/23



Interrupt and Break Control

TITLE: pdp81

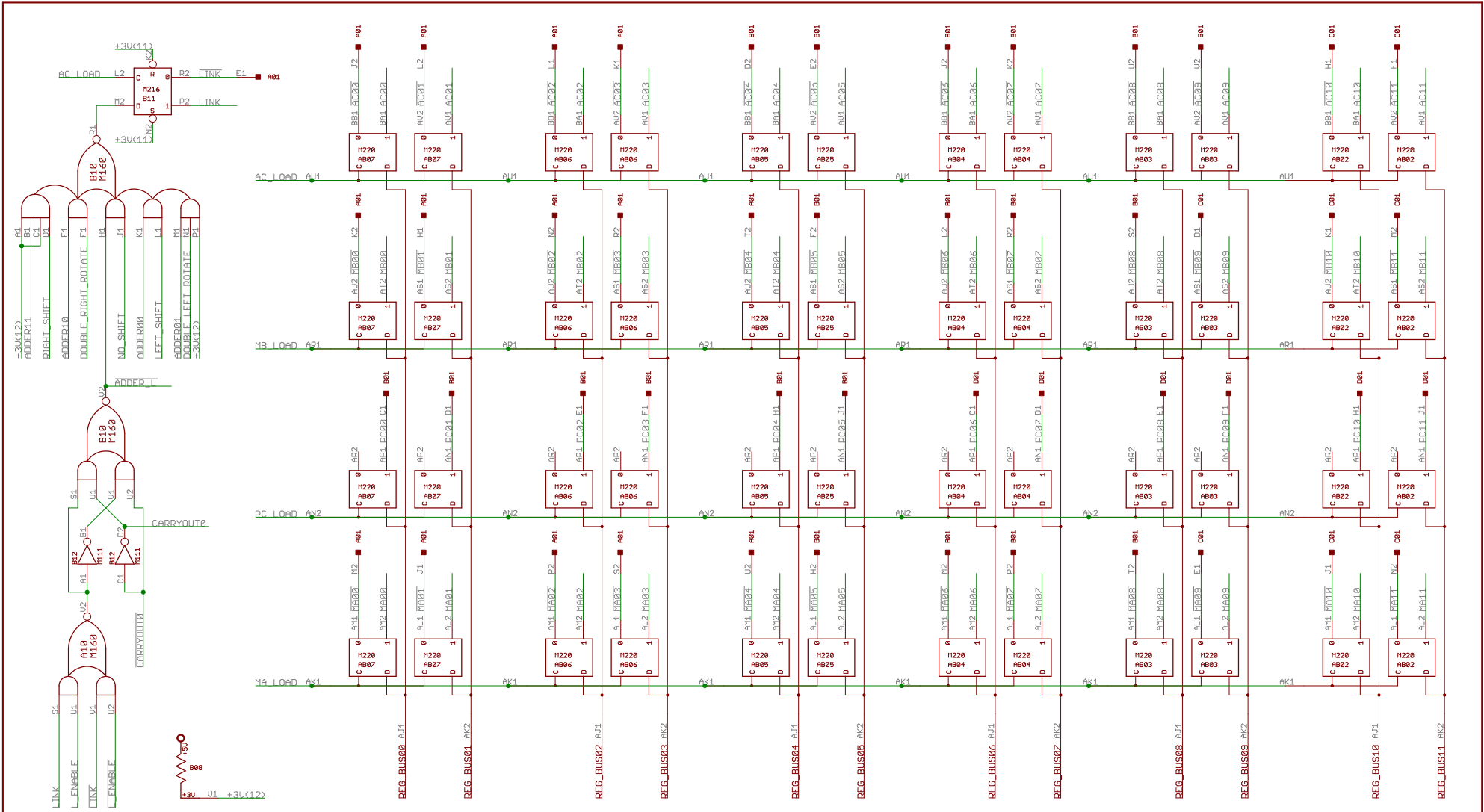
Document Number: 0-BS-8L-0-7

REV:

Date: 2/10/2022 4:02:33 PM

Sheet: 6/23

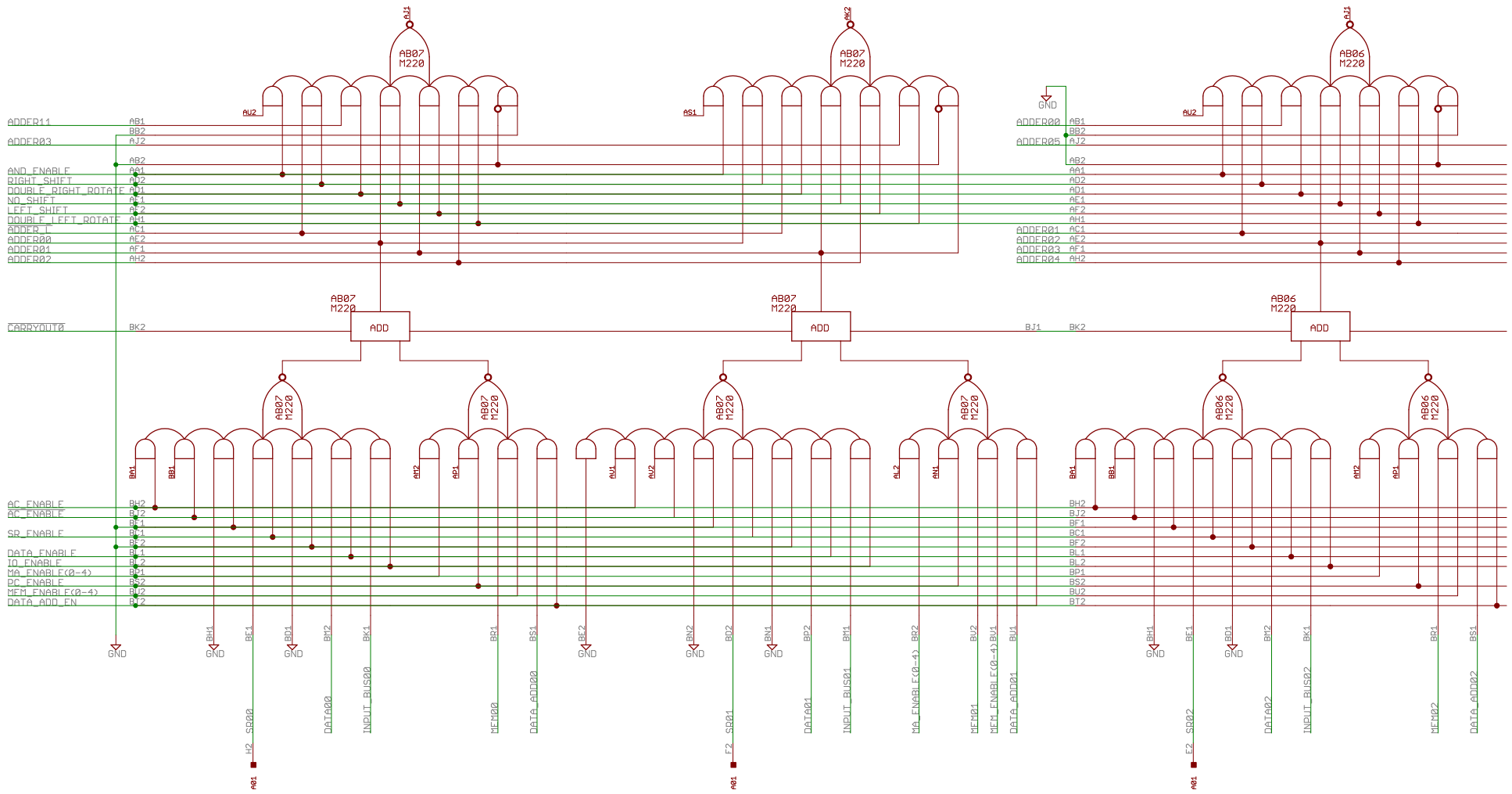
UCC  
GND



DEC panel does not connect PCnn.

Major Registers	
TITLE: pdp81	
Document Number: D-BS-8L-0-8	REV:
Date: 2/10/2022 4:02:33 PM	Sheet: 7/23





Major Register Gating (Sheet 1)

TITLE: pdp81

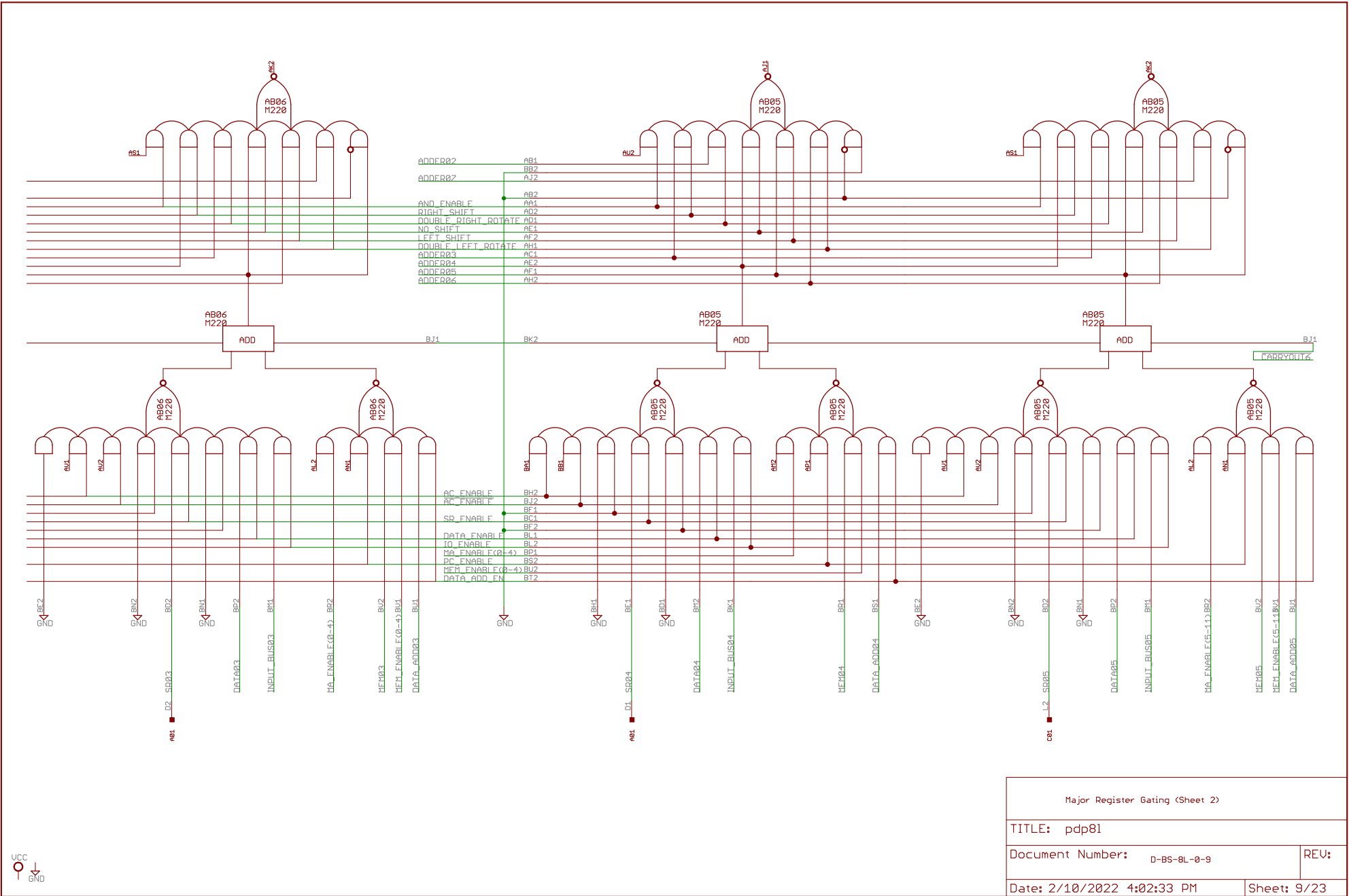
Document Number: D-BS-8L-0-9

REV:

Date: 2/10/2022 4:02:33 PM

Sheet: 8/23





Major Register Gating (Sheet 2)

TITLE: pdp81

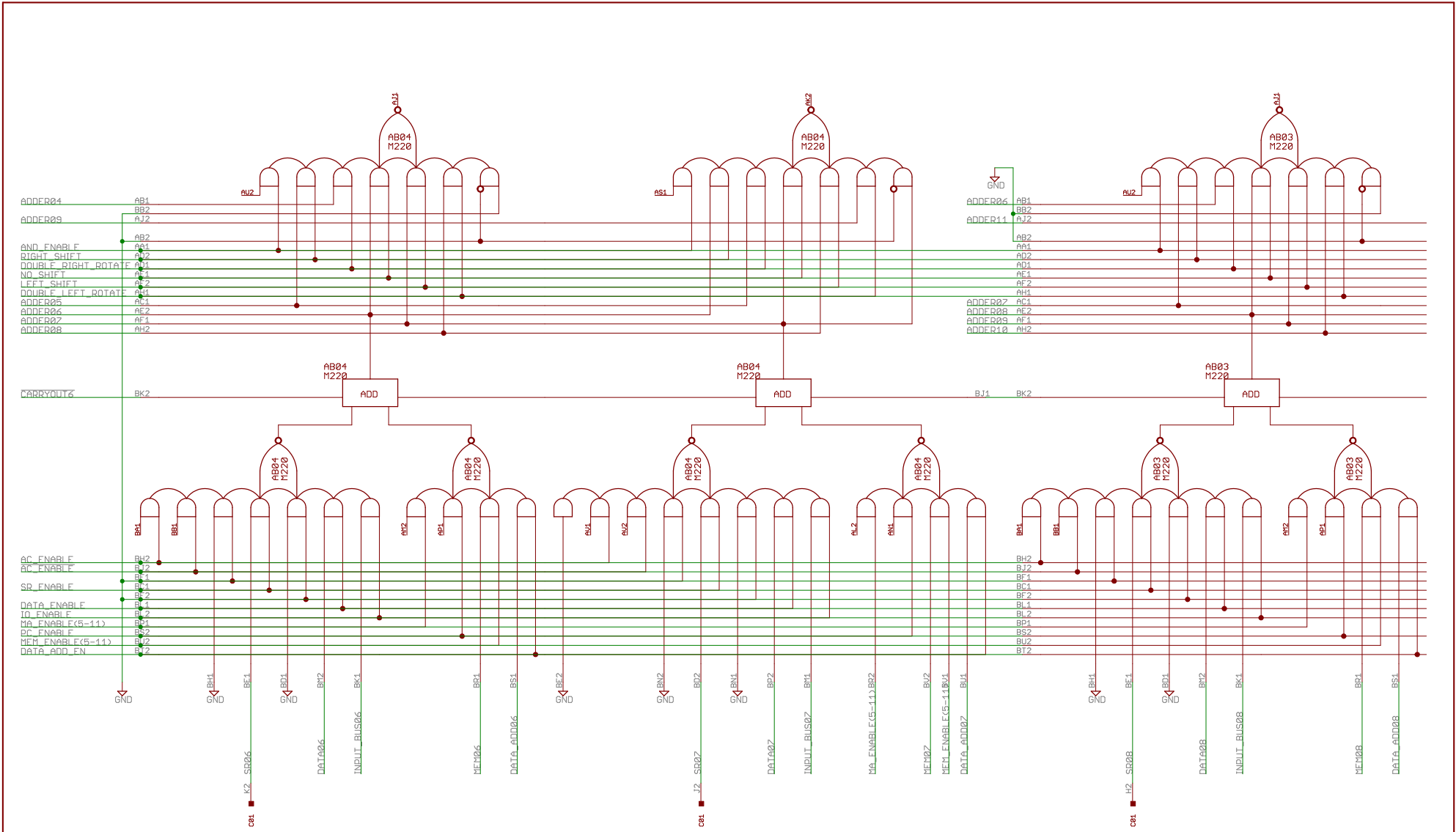
Document Number: D-BS-8L-0-9

REV:

Date: 2/10/2022 4:02:33 PM

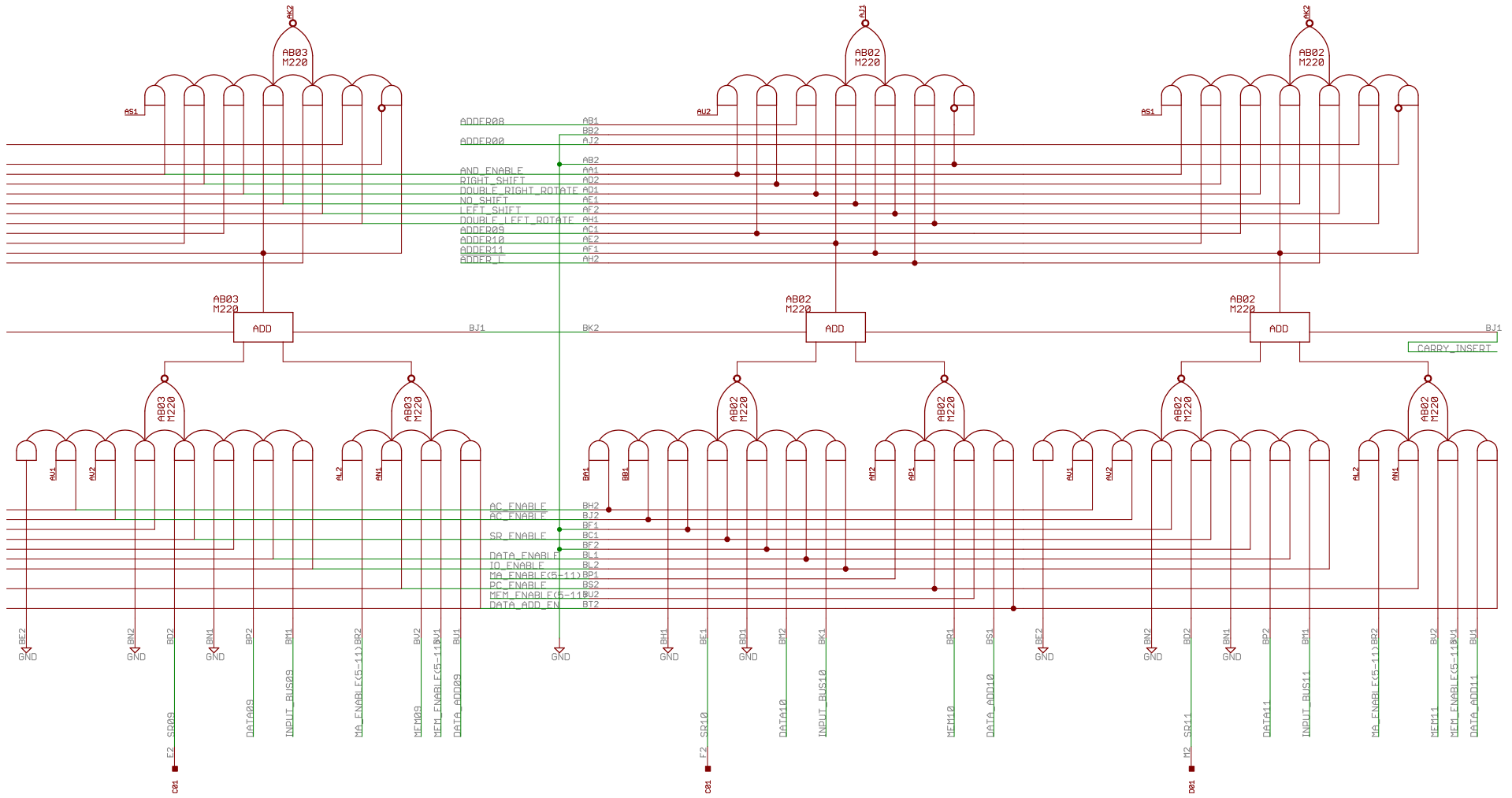
Sheet: 9/23





Major Register Gating (Sheet 3)		
TITLE: pdp81		
Document Number: D-BS-8L-0-9	REV:	
Date: 2/10/2022 4:02:33 PM	Sheet: 10/23	





Major Register Gating (Sheet 4)

TITLE: pdp81

Document Number: D-BS-8L-0-9

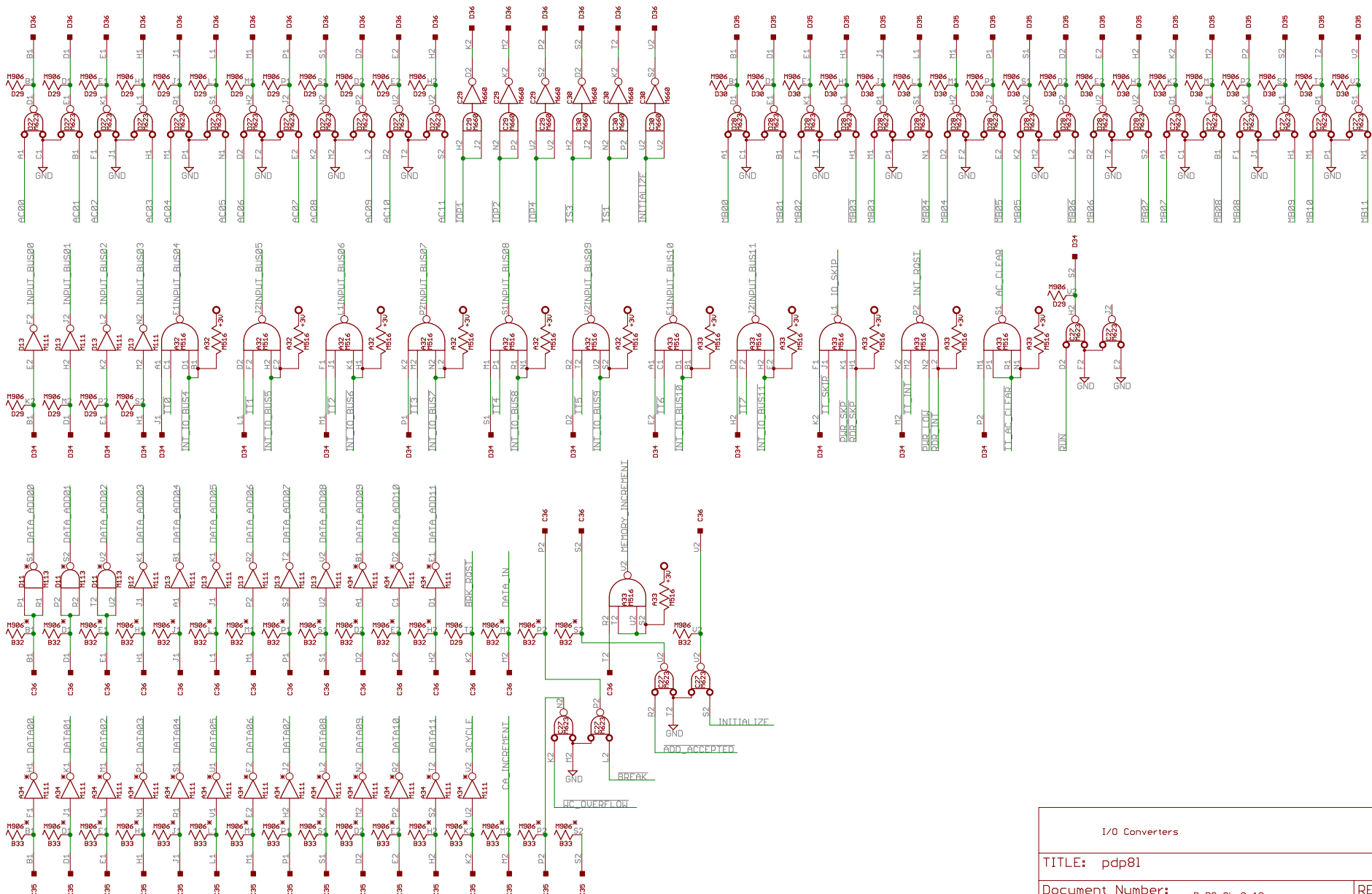
REV:

Date: 2/10/2022 4:02:33 PM

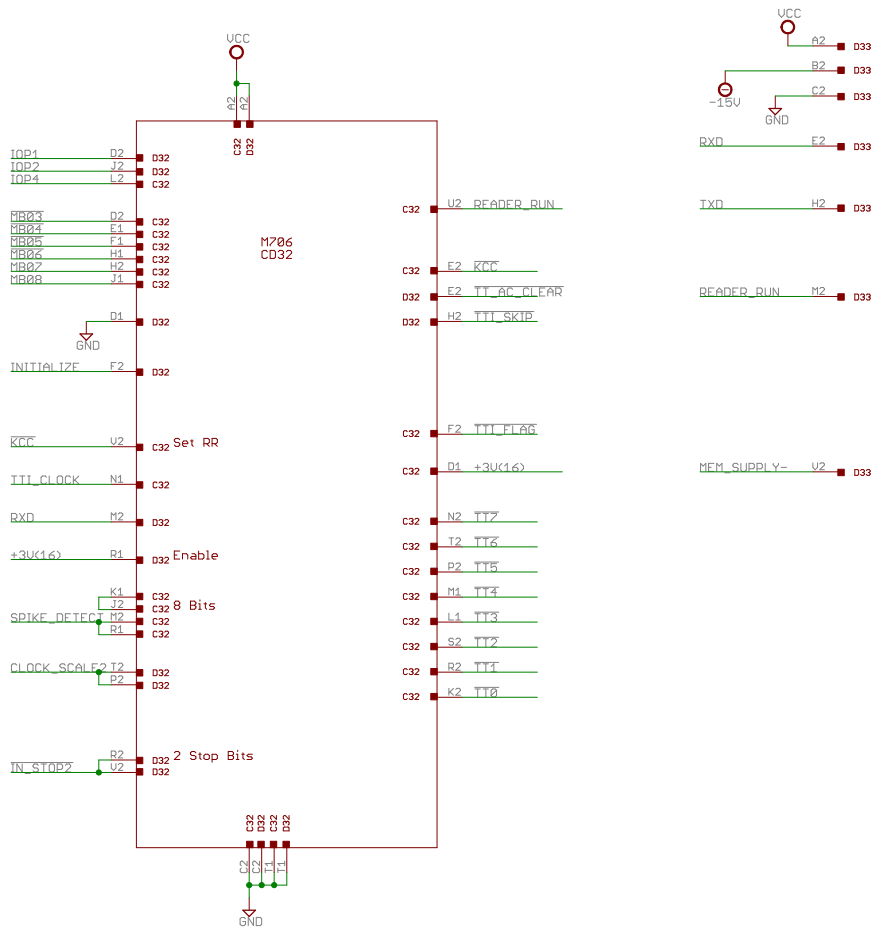
Sheet: 11/23



UCC  
GND

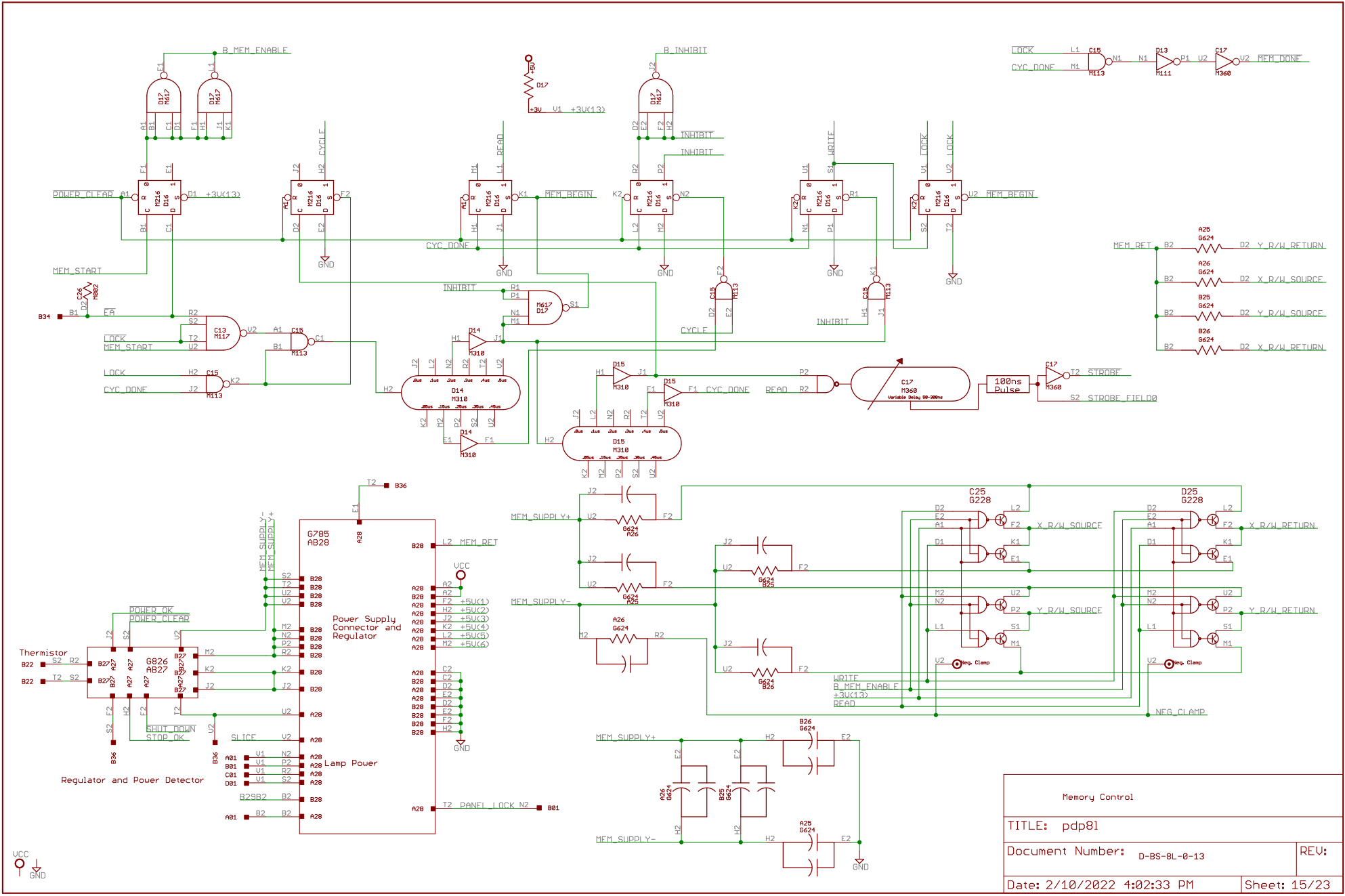


I/O Converters		
TITLE: pdp8l		
Document Number:	D-8S-8L-0-10	REV:
Date: 2/10/2022 4:02:33 PM	Sheet: 12/23	

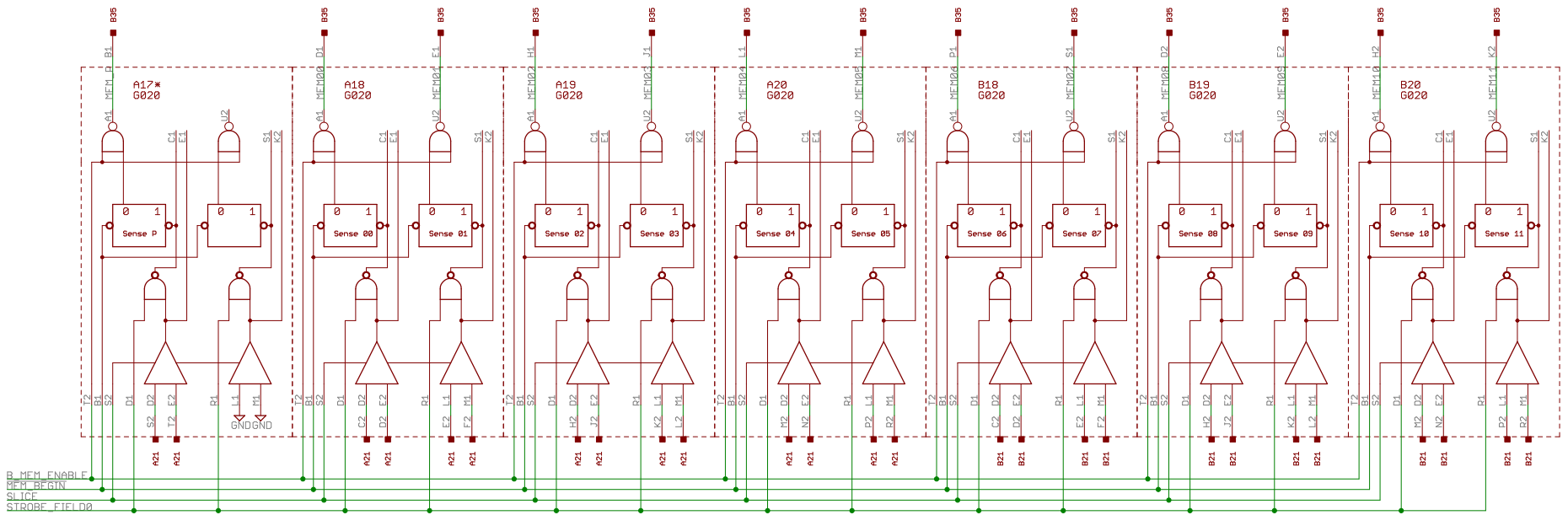
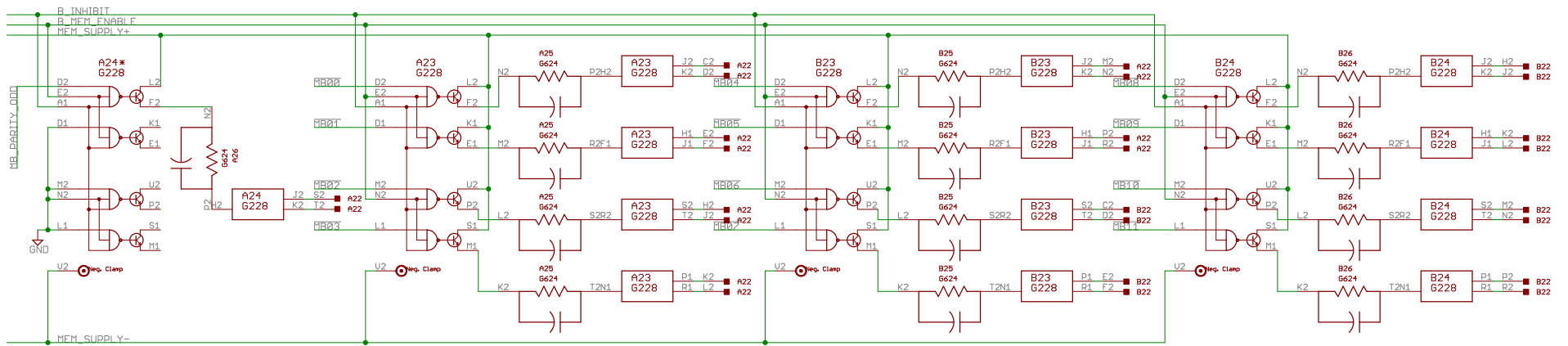


Teletype Receiver		
TITLE: pdp81		
Document Number: D-BS-8L-0-11	REV:	
Date: 2/10/2022 4:02:33 PM	Sheet: 13/23	

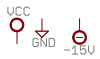




Memory Control		
TITLE: pdp81		
Document Number:	D-BS-8L-0-13	REV:
Date: 2/10/2022 4:02:33 PM	Sheet: 15/23	

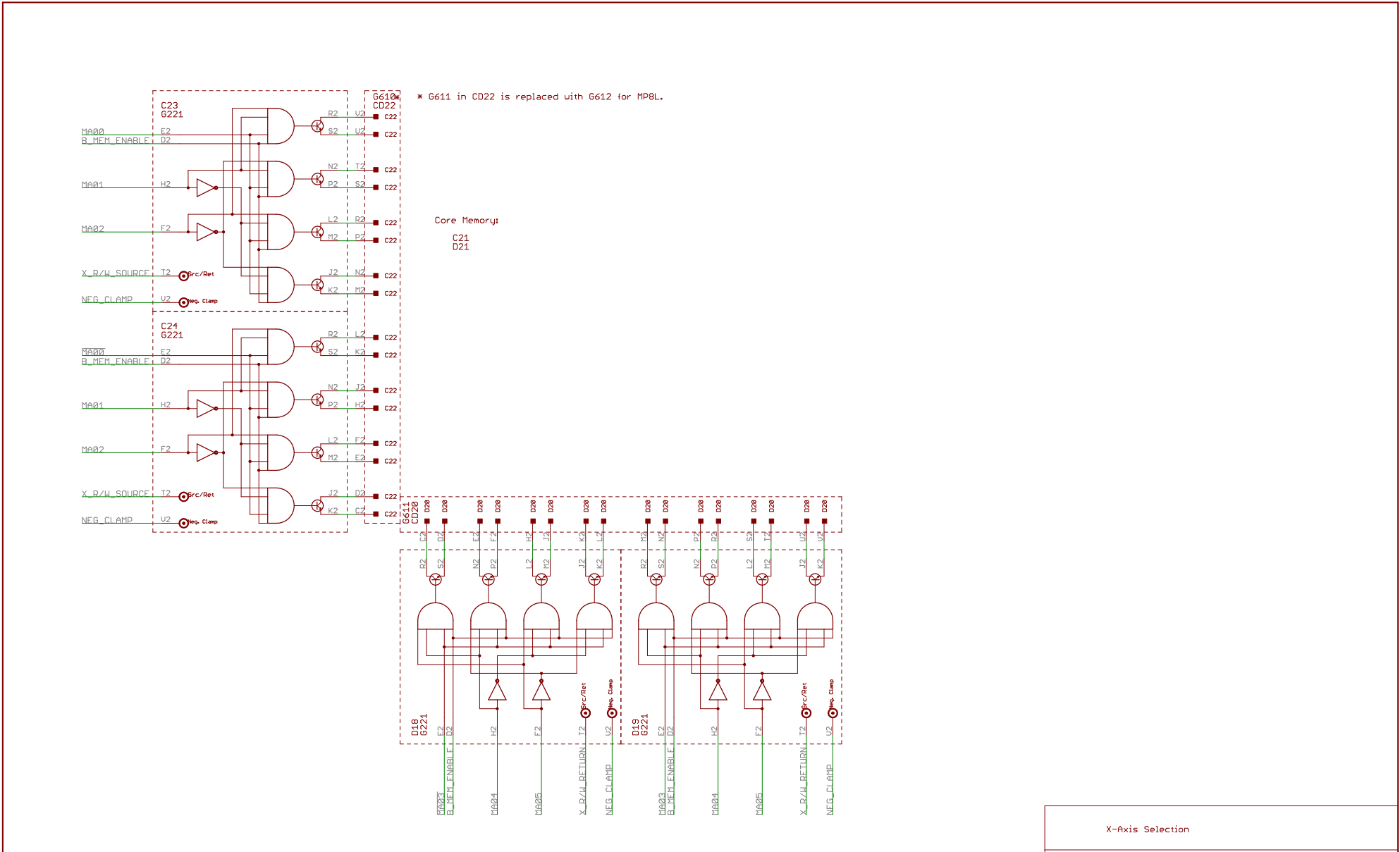


\* Used with MP8L



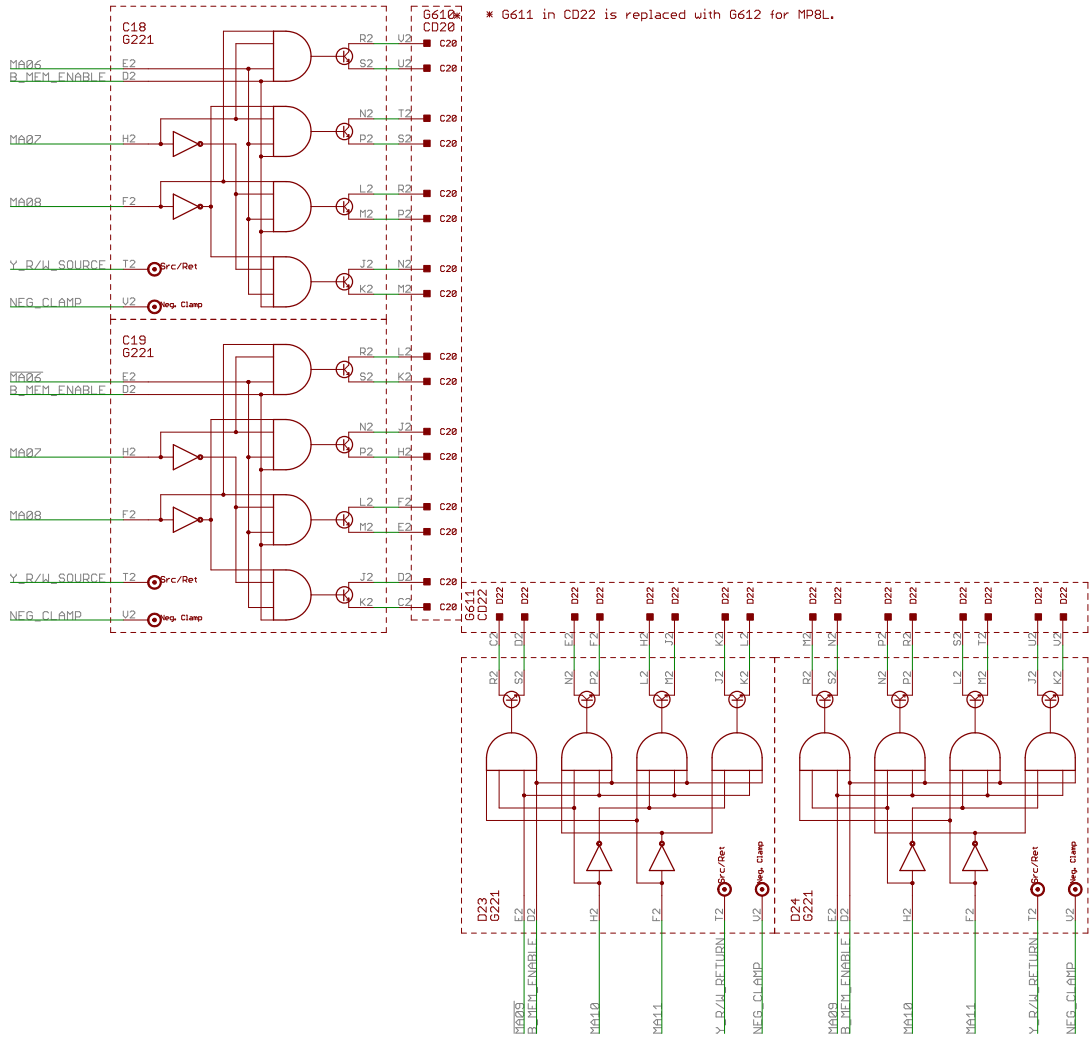
Sense Amps and Inhibit Drivers	
TITLE: pdp8l	
Document Number: D-BS-8L-0-14	REV:
Date: 2/10/2022 4:02:33 PM	Sheet: 16/23



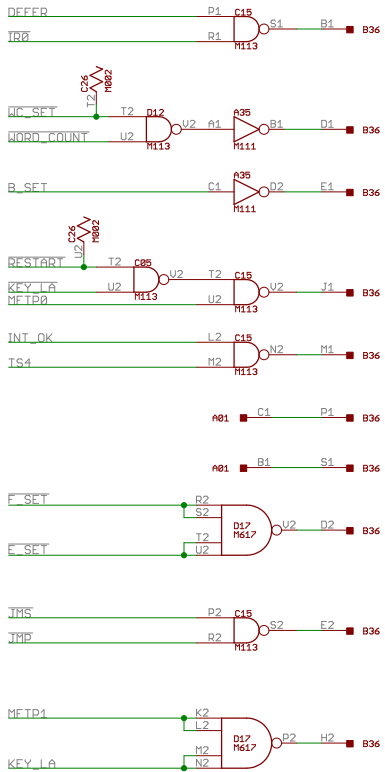
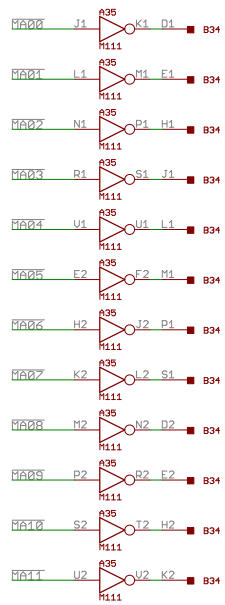


UCC  
GND

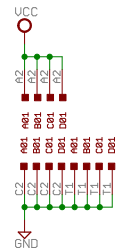
X-Axis Selection	
TITLE: pdp8l	
Document Number: D-BS-8L-0-15	REV:
Date: 2/10/2022 4:02:33 PM	Sheet: 17/23



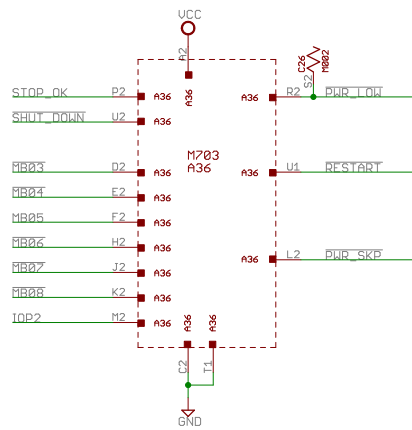
Y-Axis Selection	
TITLE: pdp81	
Document Number: D-BS-8L-0-16	REV:
Date: 2/10/2022 4:02:33 PM	Sheet: 18/23



Empty:  
D26



Misc. Connections	
TITLE: pdp81	
Document Number: D-BS-8L-0-17	REV:
Date: 2/10/2022 4:02:33 PM	Sheet: 19/23



Power Failure

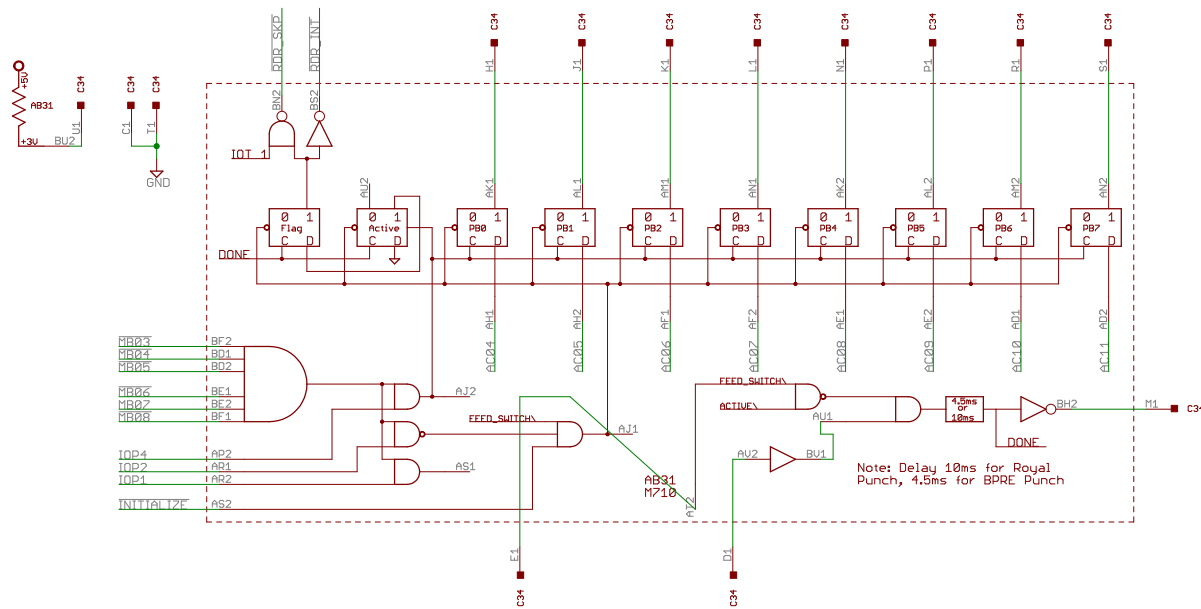
TITLE: pdp81

Document Number: D-BS-KP8L-0-1

REV:

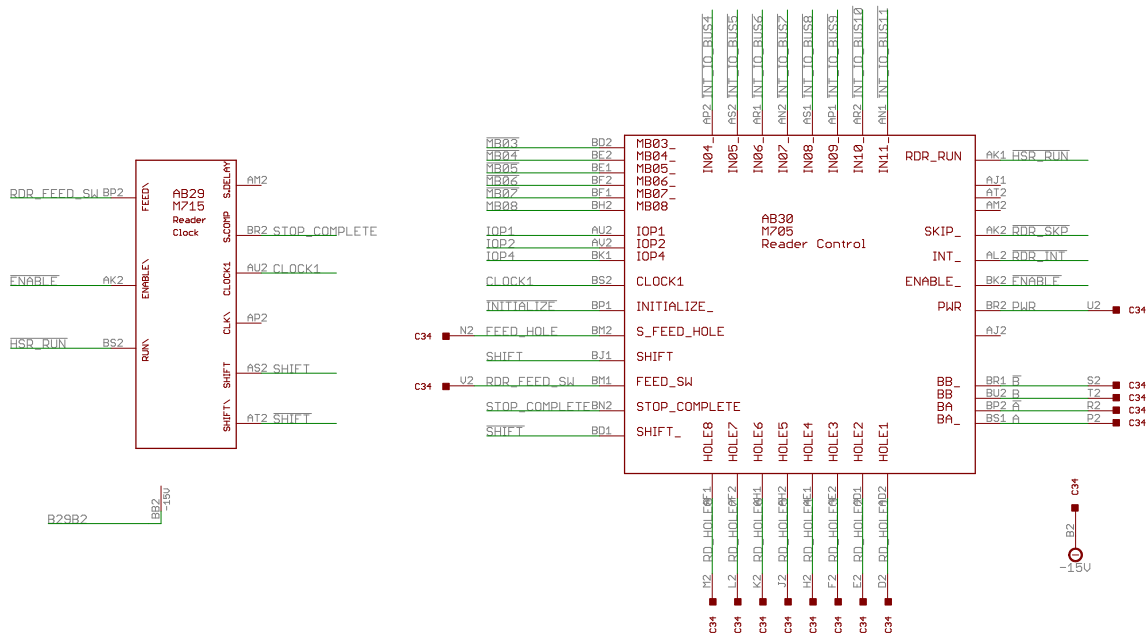
Date: 2/10/2022 4:02:33 PM

Sheet: 20/23



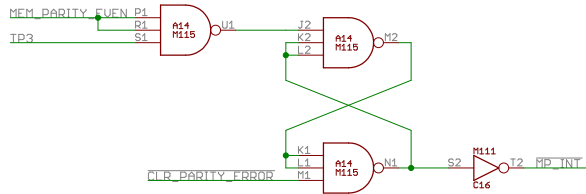
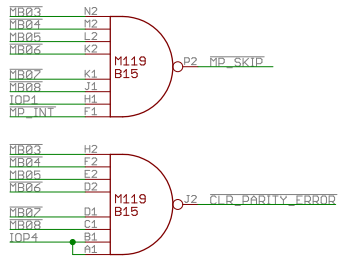
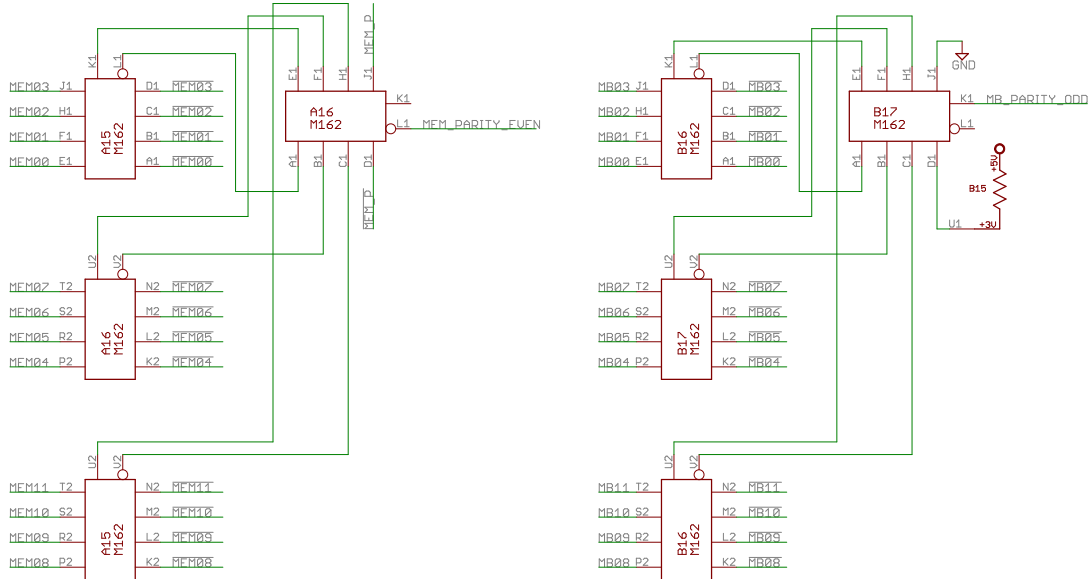
VCC  
GND

Punch Control	
TITLE: pdp81	
Document Number:	REV:
Date: 2/10/2022 4:02:33 PM	Sheet: 21/23

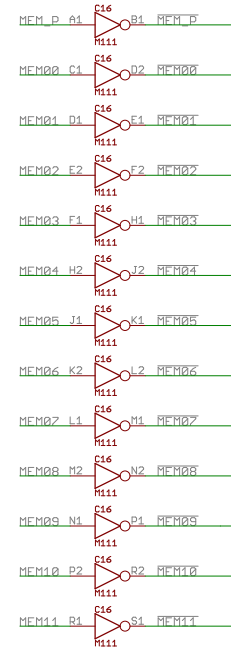


Reader Control	
TITLE: pdp81	
Document Number:	REV:
Date: 2/10/2022 4:02:33 PM	Sheet: 22/23

UCC  
GND



Borrowed Gates from A14 may not match DEC implementation.



UCC  
GND

Memory Parity	
TITLE: pdp81	
Document Number:	REV:
Date: 2/10/2022 4:02:33 PM	Sheet: 23/23