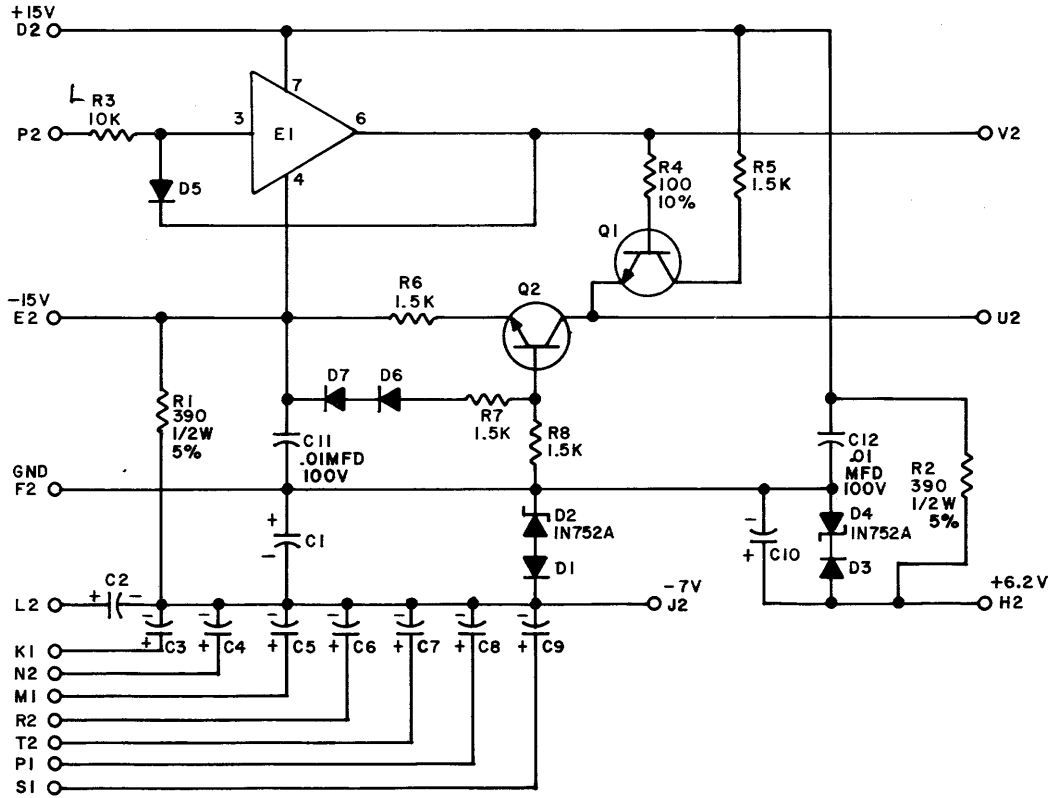


THIS SCHEMATIC IS FURNISHED ONLY FOR TEST AND MAINTENANCE PURPOSES. THE CIRCUITS ARE PROPRIETARY IN NATURE AND SHOULD BE TREATED ACCORDINGLY. COPYRIGHT 1969 BY DIGITAL EQUIPMENT CORPORATION



UNLESS OTHERWISE INDICATED:
 CAPACITORS ARE 1MFD; 35V; 10%
 DIODES ARE D664
 RESISTORS ARE 1/4W; 5%
 TRANSISTORS ARE DEC2219
 E1 IS LM302

REVISIONS	CHK	CHG NO.	REV.	A	DRN.	M. Waller	DATE	3-7-69	TRANSISTOR & DIODE CONVERSION CHART				TITLE	ANALOG BUFFER A215			
	7	00001	A			CHKD		DATE	3-9-69	DEC	EIA	DEC		EIA	digital	SIZE	CODE
					ENG.	R. Acimoglu	DATE	4/8/69	D664	IN3606			EQUIPMENT	B	CS	A215-0-1	A
					PROD.		DATE		DEC2219	2N2219			CORPORATION	PRINTED CIRCUIT REV.			
													MAYNARD, MASSACHUSETTS				