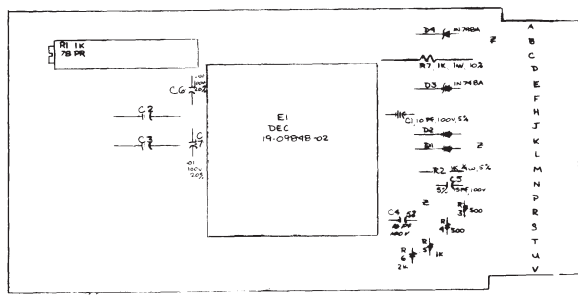
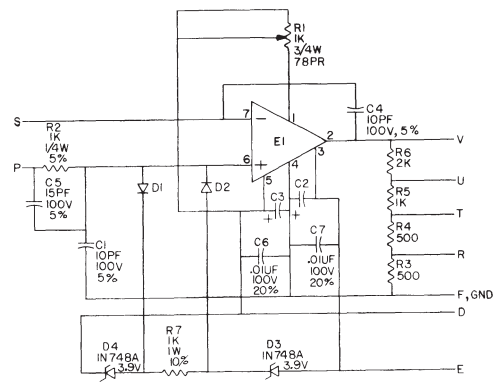


The drawing and specifications herein are the property of Digital Equipment Corporation and shall not be reproduced or copied in whole or in part in the form of a drawing or used in whole or in part in the manufacture or sale of items without written permission.



UNLESS OTHERWISE INDICATED:  
CAPACITORS ARE 1UF, 35V, 10%  
DIODES ARE D664  
RESISTORS ARE 1/4W, 0.1% MF  
E1 IS DEC 1909848-02  
USE ETCH OF A220

|     |                              |                            |               |          |
|-----|------------------------------|----------------------------|---------------|----------|
| 1   | HANDLE, FLTPCHP, AMBER       | 906317-0                   | 20            |          |
| 2   | EYELET HANDLE                | 9066732                    | 19            |          |
| 4   | EYELET PEEK THRU             | 9065751                    | 18            |          |
| 1   | AMPLIFIER 3278-1/4 OR AMP    | 1909848-02                 | 17            |          |
| 2   | R3, R4                       | RES, 500, 1/4W, .01% MF    | 1309985-0     | 16       |
| 1   | R1                           | RES, 1K, 3/4W, 78 PH       | 1309862       | 15       |
| 1   | R6                           | RES, 2K, 1/4W, .01% MF     | 1305510       | 14       |
| 1   | R5                           | RES, 1K, 1/4W, .01% MF     | 1305509       | 13       |
| 1   | R7                           | RES, 1K, 1/4W, 10%         | 1301429       | 12       |
| 1   | R2                           | RES, 1K, 1/4W, 5%          | 1300385       | 11       |
| 2   | D3, D4                       | DIODE, IN 749A, 3.5V       | 1100122       | 10       |
| 2   | D1, D2                       | DIODE, D664                | 1100114       | 9        |
| 2   | D1, D2                       | CAP, 1UF, 35V, 10% TANT    | 1001776       | 8        |
| 2   | C6, C7                       | CAP, 0.1UF, 100V, 20% DISC | 1001610       | 7        |
| 1   | C5                           | CAP, 15PF, 100V, 5%, DM    | 1000007       | 6        |
| 2   | C1, C4                       | CAP, 10PF, 100V, 5%, DM    | 1000006       | 5        |
| 1   | ETCHED CONDUIT BOARD (A220)  |                            | 5008806       | 4        |
| 1   | MODULE BQ HISTORY            |                            | R-ML-A222-0-6 | 3        |
| 1   | ASSY/DRILLING HOLE LAYOUT    |                            | C-ML-A222-0-5 | 2        |
| 1   | KEY COORDINATE HOLE LOCATION |                            | K-CO-A222-0-4 | 1        |
| QTY | REF DESIGNATION              | DESCRIPTION                | PART NO.      | ITEM NO. |

| QTY  |  | REF DESIGNATION | DESCRIPTION | PART NO. | ITEM NO. |
|--|--|-----------------|-------------|----------|----------|
| PARTS LIST   |  |                 |             |          |          |
| ETCH BOARD REV <input checked="" type="checkbox"/> |  |                 |             |          |          |
| DRN: <i>Joseph J. Zaccaria</i> DATE: 11-6-71       |  |                 |             |          |          |
| CHK'D: <i>WANEY MOORE</i> DATE: 11/11/71           |  |                 |             |          |          |
| ENG: <i>mm</i> DATE: 12-31-71                      |  |                 |             |          |          |
| PROJ: <i>1000</i> DATE: 11-22-71                   |  |                 |             |          |          |
| PROC: <i>1000</i> DATE:                            |  |                 |             |          |          |
| NEXT HIGHER ASSY                                   |  |                 |             |          |          |
| DEC NO.  |  | EIA NO.         | DEC NO.     | EIA NO.  | SCALE    |
| D664   |  | IN 3606         |             |          | 1 OF 1   |
| IN 748 A   |  | SAME            |             |          |          |
| SEMICONDUCTOR CONVERSION CHART                     |  |                 |             |          |          |
| SIZE/CODE  |  | NUMBER          |             | REV      |          |
| D/C S  |  | A222-0-1        |             | A        |          |
| DIST.  |  |                 |             |          |          |

A222-2