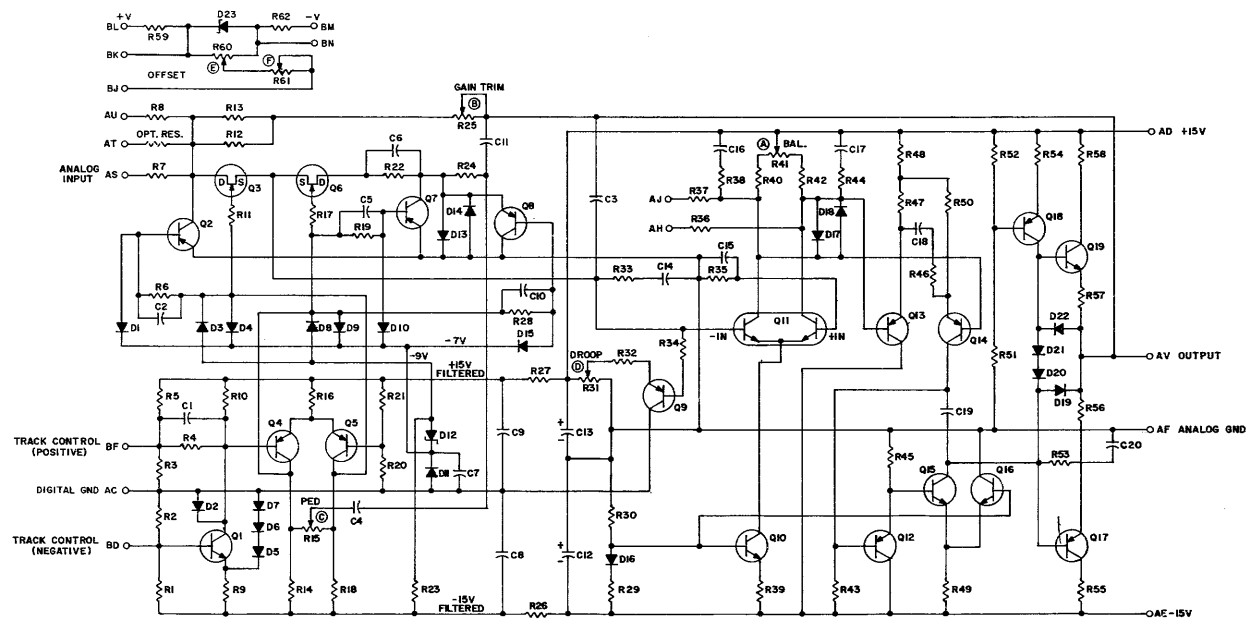


THIS SCHEMATIC IS FURNISHED ONLY FOR TEST AND MAINTENANCE PURPOSES. THE CIRCUITS ARE PROTECTED IN PATENT AND SHOULD BE TREATED ACCORDINGLY. COPYRIGHT © 1988 BY DIGITAL EQUIPMENT CORPORATION

1-0-00V C3 Q 1-0-00V C3 Q



R59, R62	RES. 619 1/8W 1% 100MFP	1305126
R61	RES. 1K TRIMPOT	1305450
D23	DIODE 1N3156	1100137
Q12, Q13, Q14	TRANSISTOR 2N4250	1509142
Q11	TRANSISTOR SDA-5-S	1501857
Q10, Q15, Q16, Q19	TRANSISTOR DC2219-S	1501881
Q9, Q17, Q18	TRANSISTOR DEC634D	1503409
Q3, Q5	TRANSISTOR 2N1613 PFT	1509233
Q2, Q4, Q5, Q7, Q8	TRANSISTOR DEC6534C	1503409-02
Q1	TRANSISTOR DEC3099B	1503100
R55, R58	RES. 68 1/2W 10% CC	1300220
R51	RES. 12K 1/4W 5% CC	1300488
R48	RES. 5.62 1/8W 1% 100MFP	1305128
R47, R50	RES. 562 1/8W 1% 100MFP	1304693
R46	RES. 470 1/4W 5% CC	1300316
R43	RES. 12.1K 1/2W 1% 100MFP	1303313
R41	RES. 50K BOURNS TRIMPOT	1305455
R40, R42	RES. 68.1K 1/8W 1% 100MFP	1305252
R39	RES. 34.6K 1/8W 1% 100MFP	1303156
R38, R44	RES. 2K 1/4W 5% CC	1302388
R34	RES. 820K 1/4W 10% CC	1303187
R33, R52	RES. 2.4K 1/4W 5% CC	1303177
R32	RES. 100K 1/4W 5% CC	1302466
R29	RES. 1.52K 1/8W 1% 100MFP	1304862
R26, R27, R56, R57	RES. 1K 1/4W 5% CC	1302124
R25	RES. 200 TRIMPOT	1306344
R24, R53	RES. 56 1/4W 5% CC	1302602
R25, R49	RES. 560 1/4W 5% CC	1301890
R21, R30	RES. 10K 1/2W 1% 100MFP	1303312
R20	RES. 1K 1/8W 1% 100MFP	1303114
R16	RES. 1.2K 1/2W 5% CC	1300385
R18, R31, R60	RES. 20K TRIMPOT	1305395
R4, R18	RES. 2.2K 1/4W 5% CC	1300417
R12	RES. 1.024M 1/2W 1% 25MFP	1305519
R8	RES. 5.1K 1/8W 1% 25MFP	1305432
R7, R13	RES. 10K 1/8W 1% 25MFP	1305431
R6, R11, R17	RES. 10K 1/4W 5% CC	1300479
R4, R54	RES. 1K 1/4W 5% CC	1300365
R2, R3, R9, R22, R35, R36, R37, R45	RES. 5.6K 1/4W 5% CC	1301874
R1, R5, R10, R19, R28	RES. 20K 1/4W 5% CC	1302391
D12	DIODE 1N756A 8.2V	1103441
D11, D13-D15, D17-D19, D22	DIODE D664	1100114
C18	CAP. 10MMF 100V 5% D.M.	1000006
C15, C17	CAP. 100MMF 100V 5% D.M.	1000016
C16, C19	CAP. 6.8MFD 35V 20% TANT	1000067
C11	CAP. 5000MMF 100V 5%	1005619
C7, C8, C9, C15	CAP. .01MFD 100V 20% DISC	1001610
C4, C5, C10	CAP. .15MMF 100V 5% D.M.	1002508
C3, C20	CAP. 27MMF 100V 5% D.M.	1001739
C1, C2, C5, C10, C14	CAP. 47MMF 100V 5% D.M.	1000011

PARTS LIST PART NO DESCRIPTION

REFERENCE DESIGNATION PARTS LIST

REV	DATE	BY	CHKD	DESCRIPTION
1	DEC 29 1988
2	DEC 29 1988

REV	DATE	BY	CHKD	DESCRIPTION
1	DEC 29 1988
2	DEC 29 1988

digital SAMPLE AND HOLD A404

1-0-00V C3 Q 1-0-00V C3 Q