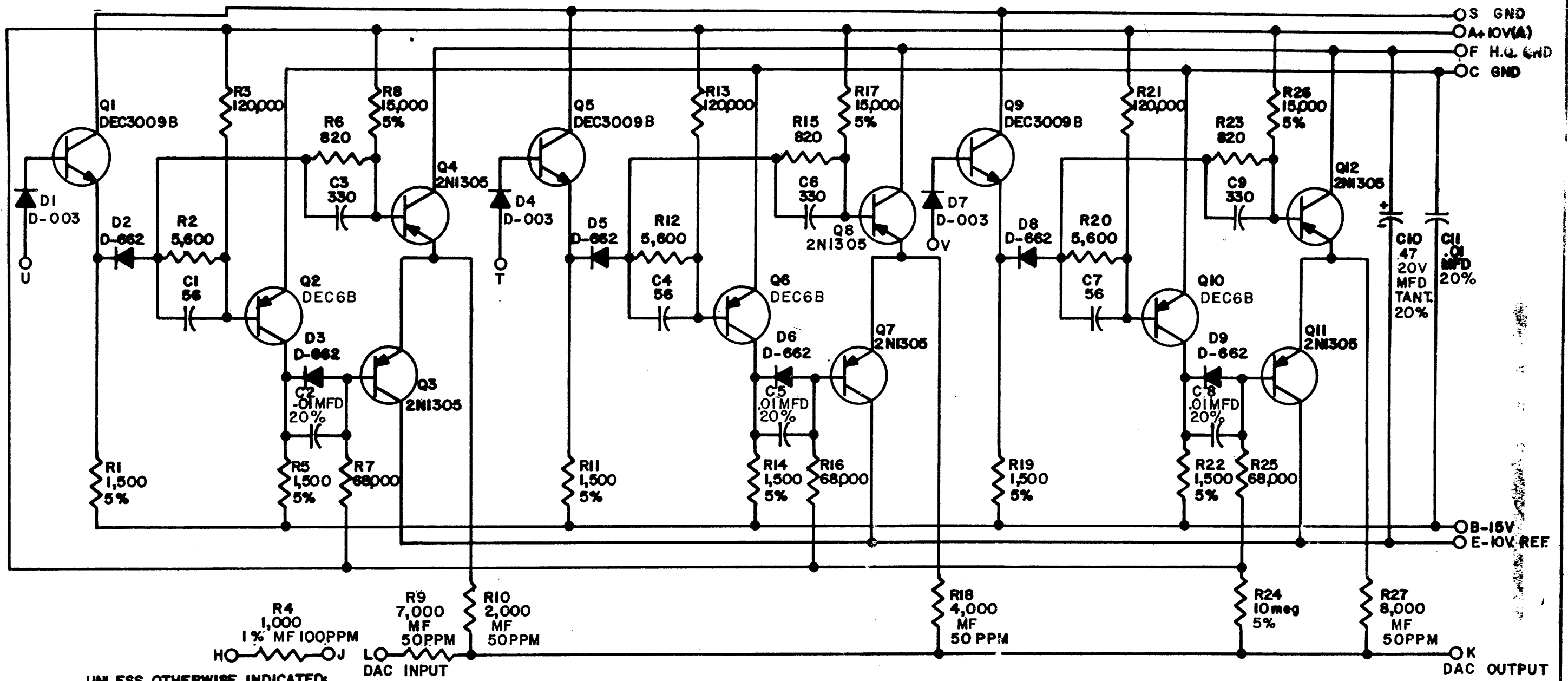


THIS SCHEMATIC IS FURNISHED ONLY FOR TEST AND MAINTENANCE PURPOSES. THE CIRCUITS ARE PROPRIETARY IN NATURE AND SHOULD BE TREATED ACCORDINGLY. COPYRIGHT 1964 BY DIGITAL EQUIPMENT CORPORATION



UNLESS OTHERWISE INDICATED:
 RESISTORS ARE 1/4W; 10%
 MF RESISTORS ARE 0.1%; 1/8W
 CAPACITORS ARE MMFD, 100V, 5%

NOTE:
 WHEN USED AS THE LEAST
 SIGNIFICANT BIT, CONNECT J TO L
 AND CONNECT H TO H.Q. GND.
 PARTS LIST A-PL-A601-0-0



REVISIONS	CHK	CHG NO.	REV.
	DAW	4459	2
	REV	8 REDR.	D
		5606	
		5616	
		5728	E
		5836	F
		6756	H
		7004	J
		00001	K

DRN. H. PORTER	DATE 9-15-64
CHK'D N. PERRYMAN	DATE 9-30-64
ENG. R. SORENSEN	DATE 9-30-64
PROD.	DATE

TRANSISTOR & DIODE CONVERSION CHART	
DEC	EIA
2N1305	SAME
DEC6B	NONE
DEC3009B	2N3009
D003	IN994
D662	IN645

digital
 EQUIPMENT CORPORATION
 MAYNARD, MASSACHUSETTS

TITLE 3 BIT DAC A601			
SIZE B	CODE CS	NUMBER A601-0-1	REV. K
PRINTED CIRCUIT REV.			D E