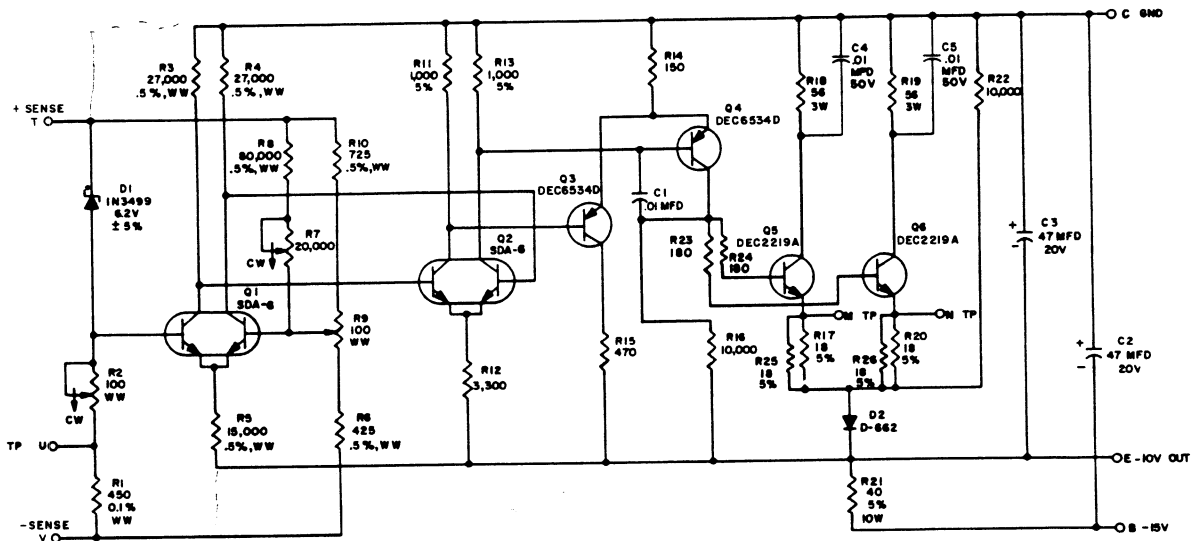


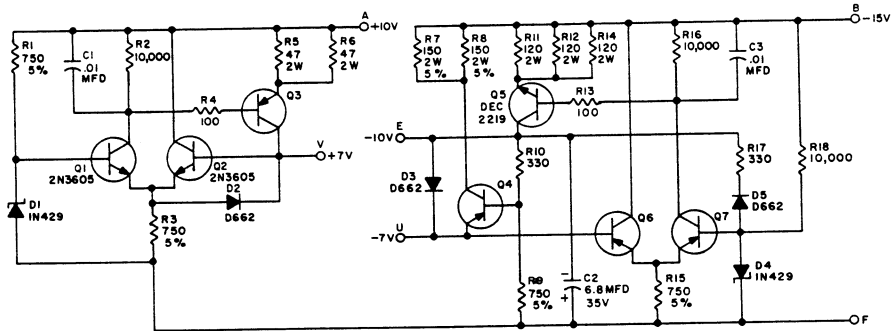
DEC 6534D → DEC 1309



UNLESS OTHERWISE INDICATED:  
 RESISTORS ARE 1/4W, 10%  
 R10, R6 AND R1 ARE DAVEN 3PPM TYPE 1195  
 R3, R4, R5 AND R8 ARE DAVEN 20 PPM TYPE 1283  
 R2, R9 ARE 50 PPM DAYSTRUM TRANSITRIM  
 R7 IS A #275P

#10 E-V SDA-6 15-01858  
 GND C-T IN 3499 11-01535  
 #1 753-SUB 11-02421

A704 Reference Supply



UNLESS OTHERWISE INDICATED:  
 RESISTORS ARE 1/4W, 10%  
 TRANSISTORS ARE DEC3638

HQ  
 GND

A706 Power Supply for A202