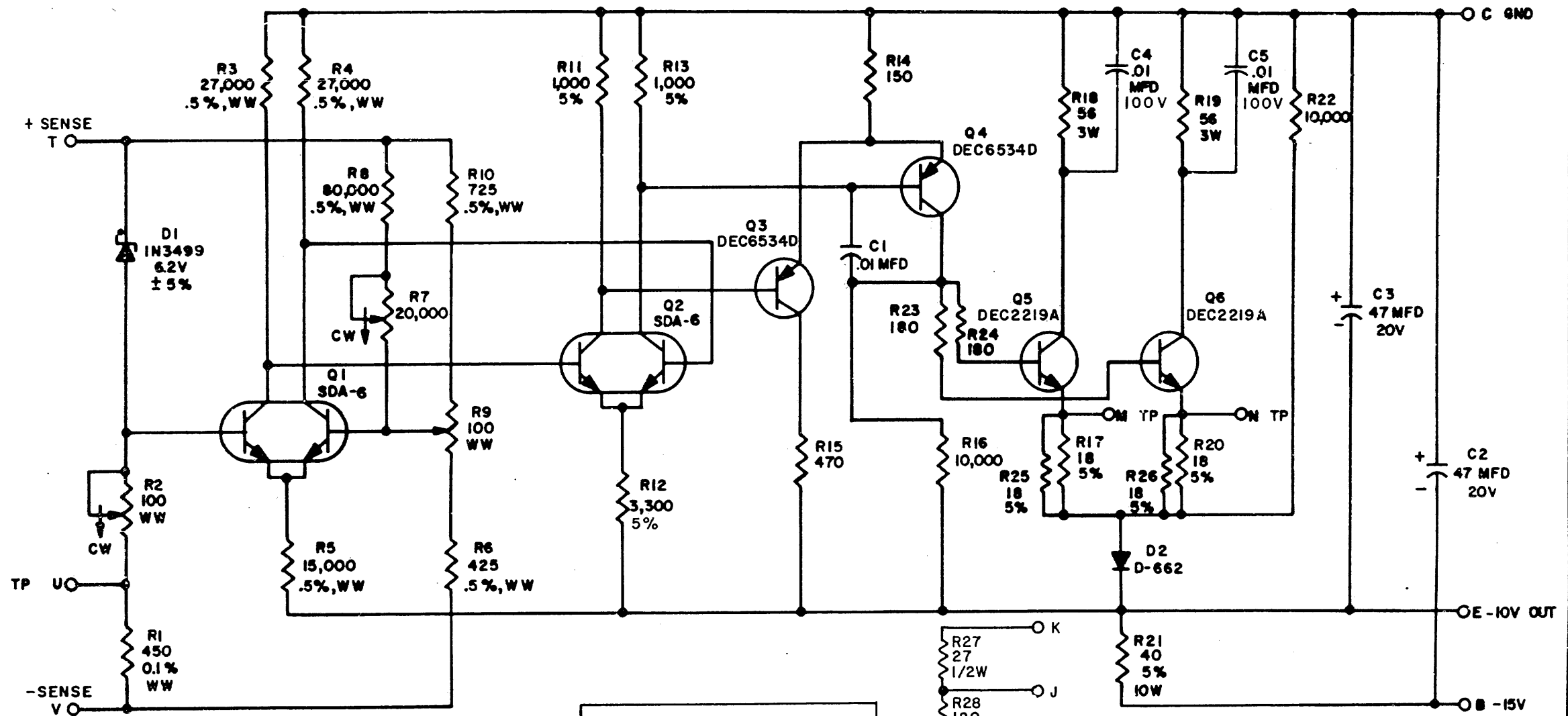


REV. K
NUMBER A704-0-1
SIZE CODE B CS

THIS SCHEMATIC IS FURNISHED ONLY FOR TEST AND MAINTENANCE. CIRCUITS ARE PROPRIETARY IN NATURE AND SHOULD BE TREATED AS SUCH. COPYRIGHT 1964 BY DIGITAL EQUIPMENT CORPORATION



UNLESS OTHERWISE INDICATED:
RESISTORS ARE 1/4 W; 10%
R10, R6 AND R1 ARE DAVEN 3PPM TYPE 1195
R3, R4, R5 AND R8 ARE DAVEN 20 PPM TYPE 1283
R2, R9 ARE 50 PPM DAYSTRUM TRANSITRIM
R7 IS A #275P

PARTS LIST IS A-PL-A704-0-1

REV.	CHG. NO.	REV.
4	4535	DAW
E	5751	REV. & REDR.
F	5849	REV.
H	6200	REV.
J	6762	REV.
K	00001	9/9/64

DRN.	DATE
A.OUELLETTE	9-3-64
CHK'D N. PERRYMAN	9-4-64
ENG. R.A.GAGNE	9-4-64
PROD.	DATE

TRANSISTOR & DIODE CONVERSION CHART			
DEC	EIA	DEC	EIA
SDA-6	2N2060		
DEC6534D	SAME		
DEC2219A	SAME		
D662	IN645		
IN3499	SAME		

digital
EQUIPMENT CORPORATION
MAYNARD, MASSACHUSETTS

TITLE -10V PRECISION POWER SUPPLY A704			
SIZE	CODE	NUMBER	REV.
B	CS	A704-0-1	K
PRINTED CIRCUIT REV. F			

DEC FORM NO. DRB 102

DIST. 324 434 435

PINK