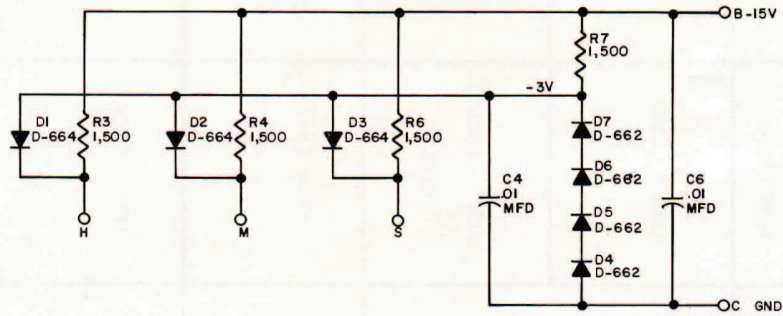
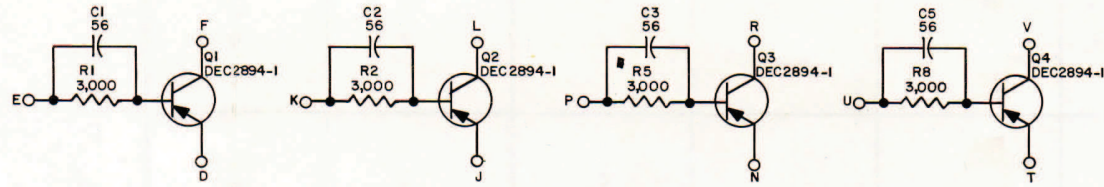


RS-B-BIO4-1



UNLESS OTHERWISE INDICATED:  
RESISTORS ARE 1/4W, 5%  
CAPACITORS ARE MMFD

TRANSISTOR & DIODE CONVERSION CHART			
DEC	EIA	DEC	EIA
DEC2894-1	DEC2894		
D-662	1N645		
D-664	1N3605		

NOTES

THIS SCHEMATIC IS FURNISHED ONLY FOR TEST AND MAINTENANCE PURPOSES. THE CIRCUITS ARE PROPRIETARY IN NATURE AND SHOULD BE TREATED ACCORDINGLY.

COPYRIGHT 1964 BY DIGITAL EQUIPMENT CORPORATION

-----		
B	RS-B-BIO4	I
INVERTER BIO4		